



高速直驱双针角缝机 ZJ2845-BD-3/02系列

HIGH SPEED MOTOR BULIT-IN TWIN
NEEDLE LOCKSTITCH SEWING MACHINE

零件手册 PARTS BOOK

中国·中捷缝纫机股份有限公司
ZOJE SEWING MACHINE CO., LTD.

零件手册使用说明

1. 本手册适用于封面上所示同种系列的缝纫机。
2. 本手册为 2010年2 月的版本。
3. 部分零件设计上的改变不预先通知用户。
4. 用 标注部分属于组件部分。

Notes for using this parts book

1. This book is applicable to sewing machines which have the same plate number as shown on the cover of this book (or correction sheet).
2. This book was prepared based on information available in February 2010.
3. Parts are subject to changes in design without prior notice.
4. Parts supplied as complete assemblies are circled by a dotted line

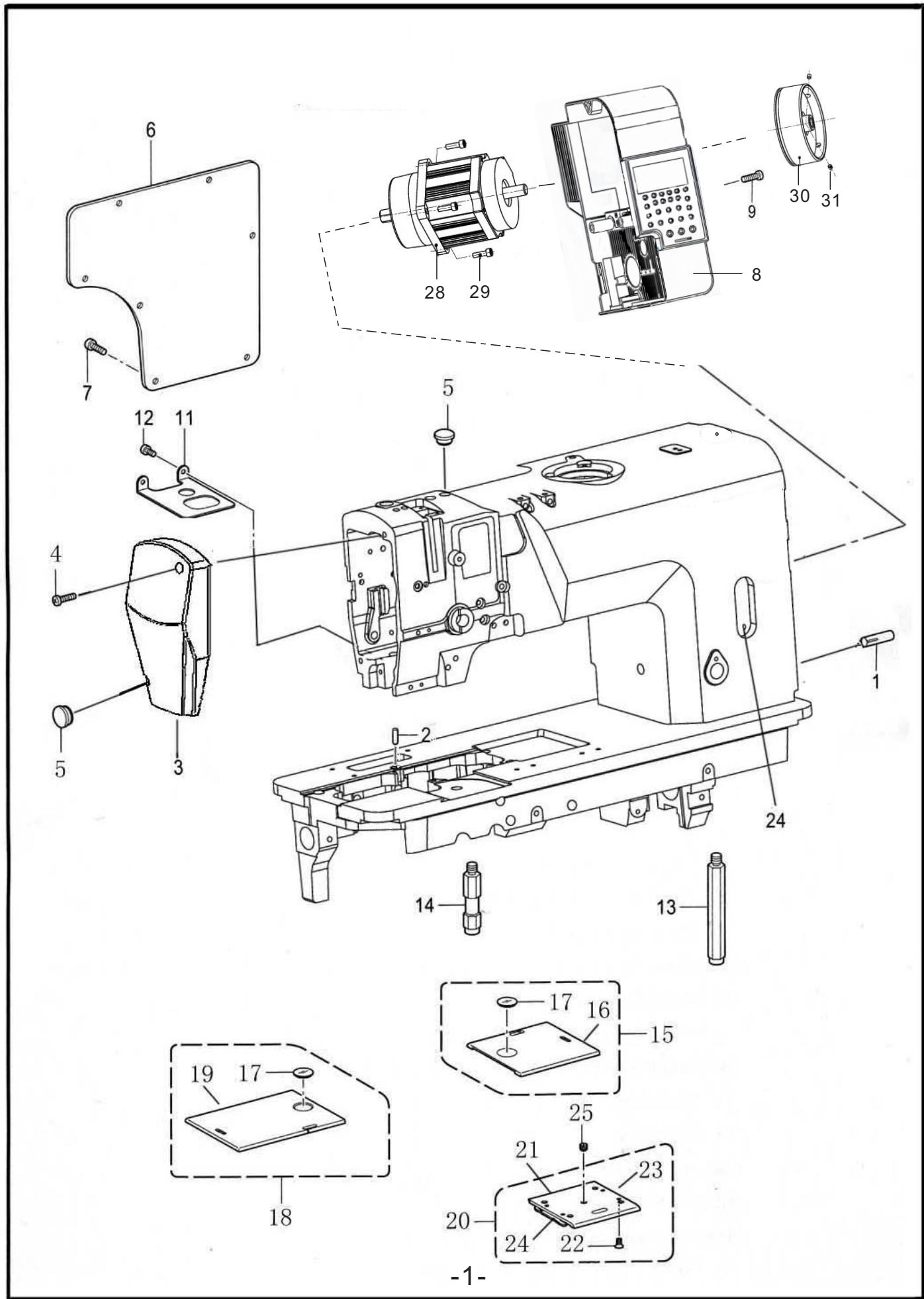
目录

A. 机壳部件.....1	K2. 旋梭机构.....25
B. 上轴机构.....3	M1. 下轴机构.....27
C. 针杆机构.....5	S. 松线部件.....27
C1. 绕线机构.....8	M. 润滑部分.....29
D. 针杆切换操作装置.....10	N1. 夹线机构.....32
E. 压脚机构.....12	D. 自动剪线机构.....34
F. 送料机构.....14	R. 拔线机构（自动剪线用）.....36
H. 送料轴机构.....16	Z1. 附件关系.....38
P. 针组机构.....18	Z2. 附件关系.....40
J. 倒缝机构.....20	Wa. 警告标志.....42
W. 倒缝开关组件.....20	
K1. 旋梭机构.....22	

CONTENTS

A. Machine body.....1	K2. Rotary mechanism.....25
B. Upper shaft mechanism3	L. Lower shaft mechanism27
C. Needle bar rocking mechanism.....5	M. Lubrication27
C1. Winder clamp mechanism.....8	N1. Thread mechanism.....29
D. Presser foot mechanism.....10	Q. Thread Trimmer mechanism.....32
E. Needle bar filp-up mechanism.....12	R. Thread wiper mechanism (Thread Trimmer).....34
F. Feed mechanism.....14	S. Tension release mechanism.....36
H. Feed shaft mechanism.....16	Z1. Accessories.....38
P. Gauge parts18	Z2. Accessories.....40
J. Quick reverse mechanism20	Wa. Warning labels42
W. Quick reverse switch mechanism...20	
K1. Rotary mechanism.....22	

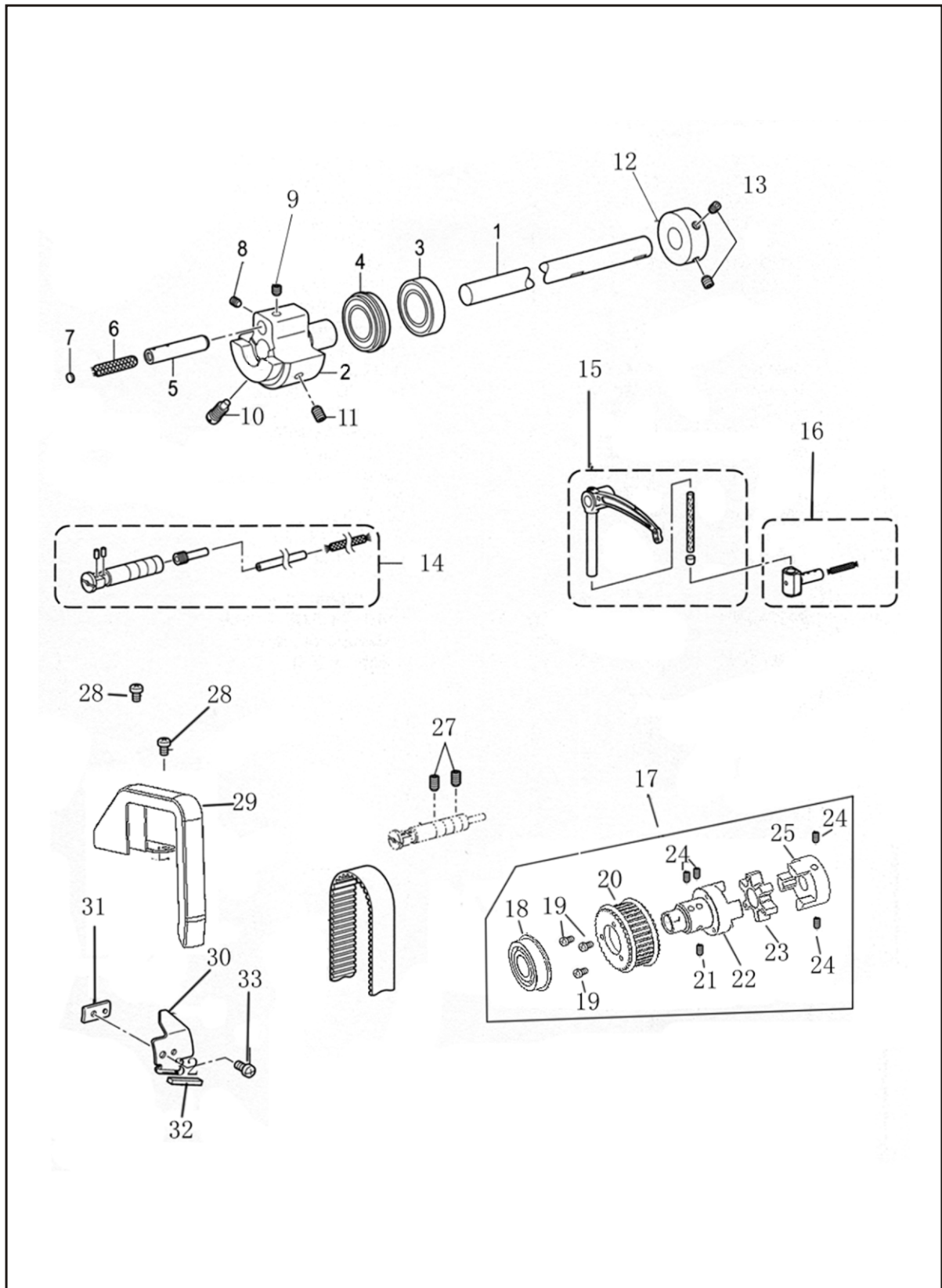
A. 机壳部件/Machine body



A 机体部份/ Machine body

序号 No.	件号 Pars No.	名称	Description	数量 Number
1	10022753	销	PIN	2
2	10013612	销	PIN	1
3	20003632	前盖板	FACE PLATE	1
4	10003301	螺钉	PAN, M5X14	2
5	10013586	橡胶塞	RUBBER PLUG	2
6	20008070	侧盖板	REAR COVER	1
7	10003301	螺钉	SCREW, M5X14	7
8	10055004	电控	ELECTRONIC CONTROL	1
8	10056061	电控	ELECTRONIC CONTROL	1
9	10003301	螺钉	SCREW, M5X14	3
10	10013583	橡胶塞	PLUG	1
11	10013566	防尘板	DUST PROTECTOR	1
12	10013598	螺钉	SCREW, SM9/64"×40	2
13	10022248	底板支柱 (长)	BED LEG, L	1
14	10022249	底板支柱 (短)	BED LEG, S	1
15	20006567	右推板组件	SLIDE PLATE ASSY(R)	1
16	10022243	右推板	SLIDE PLATE(R)	1
17	10013560	右透视窗	BOBBIN WINDOW	1
18	20006566	左推板组件	SLIDE PLATE ASSY(L),W	1
19	10013560	左透视窗	VISUAL WINDOW(L)	1
20	10022242	左推板	SLIDE PLATE(L)	1
21	10006594	横推板组件	SLIDE PLATE ASSY(F)	1
22	10013563	横推板	SLIDE PLATE	1
23	10006593	螺钉	SCREW, SM1/8"×40	4
24	10006595	横推板簧 (右)	SLIDE PLATE SPRING®	1
25	10006572	横推板簧 (左)	SLIDE PLATE SPRING(L)	1
26	10013637	螺钉	SCREW, SM13/64"×32	1
27	10013647	螺钉	SCREW, SM11/64"×40	2
28	10055003	电机	MOTOR	1
28	10058272	电机	MOTOR	1
29	10006157	螺钉	SCREW PAN	4
30	20007523	上轮	PULLEY	1
31	10012162	螺钉	SCREW PAN	2

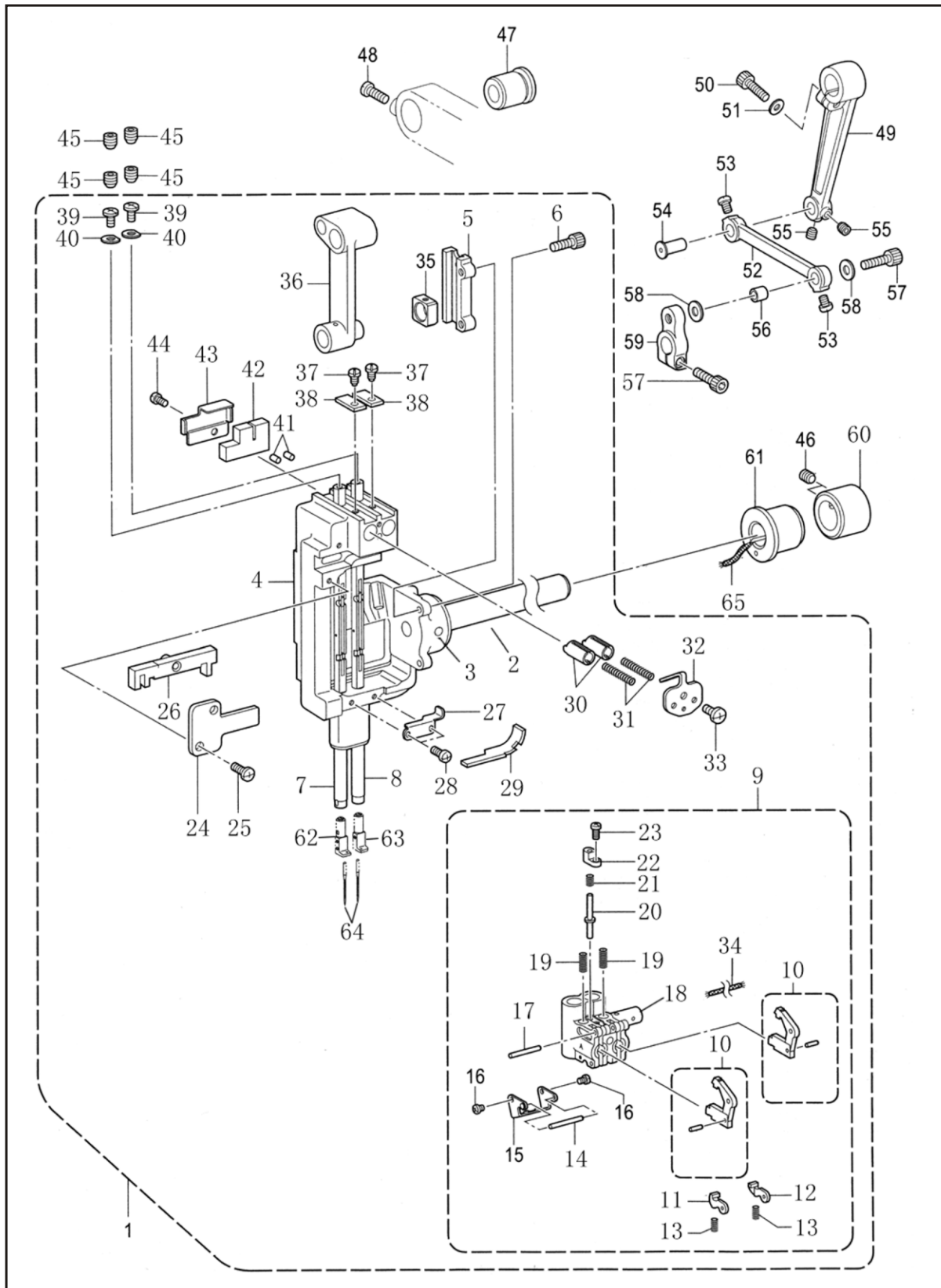
B 上轴机构 / Upper shaft mechanism



B. 上轴机构/ Upper shaft mechanism

序号 No.	件号 Pars No.	名称	Description	数量 Number
1	10022458	上轴	UPPER SHAFT	1
1	10058152	上轴	UPPER SHAFT	1
2	10022649	针杆曲柄	THREAD TAKE-UP CRANK	1
3	10003535	轴承 6004ZZ	BEARING 6004ZZ	1
4	10003542	轴承6004ZZNRC3	BEARING 6004ZZNRC3	2
5	10013354	针杆曲柄销	NEEDLE BAR CRANK	1
6	10008097	Φ5油线 L=72	WICK, L=72	1
7	10013352	针杆曲柄销塞片	PUSHER	1
8	10013438	螺钉 SM1/4"×40	SCREW, SM1/4"×40	1
9	10013443	螺钉 SM9/32"×28	SCREW, SM9/32"×28	1
10	10013405	螺钉 SM9/32"×28	SCREW, SM9/32"×28	1
11	10013441	螺钉 SM1/4"×40	SCREW, SM1/4"×40	1
12	10009172	绕线主动轮	BOBBIN WINDER DRIVING WHEEL	1
13	10011223	螺钉 SM11/64"×40	SCREW, SM11/64"×40	2
14	20006575	挑线杆铰链轴组件	THREAD TAKE-UP SHAFT UNIT	1
15	10013397	挑线杆组件(284)	THREAD TAKE-UP (284)	1
15	10006513	挑线杆组件(287)	THREAD TAKE-UP(287)	1
16	20001251	挑线杆连接柱组件	T-TAKE-UP SLIDE BLOCK ASSY	1
17	20006574	联轴器组件		1
18	10003539	轴承6204ZZNR	BEARING 6204ZZNR	1
19	10022252	螺钉 M4X10	SCREW, M4X10	3
20	10022652	上齿形带轮组件	TIMING PULLEY (U) ASSY	1
21	10009170	螺钉 M6X10	SCREW, M6X10	1
22	10022651	上轴联轴器		1
23	10011227	传动连接橡胶块		1
24	10009187	螺钉 M6X8	SCREW, M6X8	4
25	10012615	联轴器		1
26	10026985	同步齿形带	TIMING BFLT	1
27	10013469	螺钉 SM1/4"×28	SCREW, SM1/4"×28	2
28	10013601	螺钉 SM9/64"×40	SCREW, SM9/64"×40	2
29	20003548	挑线防护罩(284)	THREAD TAKE-UP LEVER COVER	1
29	20003620	挑线防护罩(287)	THREAD TAKE-UP LEVER COVER	1
30	10013268	挑线杆挡油毡架	SHELTER PLATE	1
31	10013256	挑线杆挡油压板	HOLDER, SHELTER PLATE	1
32	10013668	挑线杆挡油毡	FELT	1
33	10009456	螺钉 M5X8	SCREW, M5X8	1

C. 针杆摆动装置/Needle bar rocking mechanism



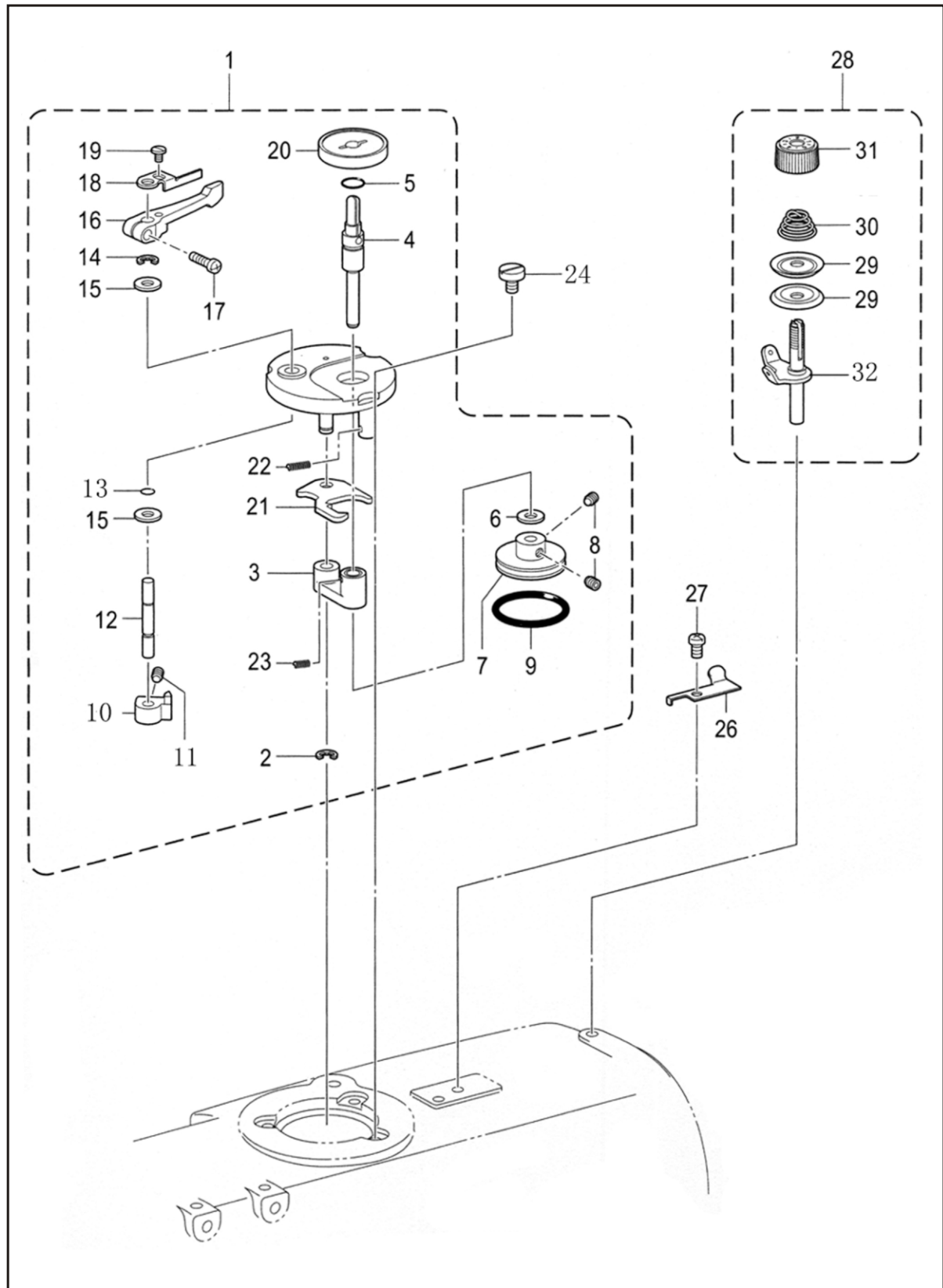
C. 针杆摆动装置/Needle bar rocking mechanism

序号 No.	件号 Pars No.	名称	Description	数量 Number
1	10022657	针杆支架组件	NEEDLE BAR ROCK SHAFT ASSY	1
2	10022658	摆针轴	ROCK SHAFT	1
3	10002813	锥销 4X26	PIN,TAPER 4X26	1
4	10022656	针杆支架	NEEDLE BAR ROCK SHAFT	2
5	10022659	滑块座	SLIDE BLOCK SLIDER	1
6	10003092	螺钉 M4X12	SCREW PAN , M4X12	2
7	10022674	针杆组件 (左)	NEEDLE BAR (L) ASSY	1
8	10022675	针杆组件 (右)	NEEDLE BAR (R) ASSY	1
9	10022677	针杆小支架组件	NEEDLE BAR CLAMP ASSY	1
10	10006491	针杆锁紧组件	CLUTCH LEVER ASSY	2
11	10006460	止动块 (左)	CLUTCH STOPPER (L)	1
12	10006459	止动块 (右)	CLUTCH STOPPER (R)	1
13	10013430	弹簧	SPRING, CLUTCHLEVER	2
14	10013432	销 2X17.5	PIN 2X17.5	1
15	10013428	弹簧支架	SPRING HOLDER	1
16	10013425	螺钉 SM3/32"×56	SCREW, SM3/32"×56	2
17	10013423	销 2X15.7	PIN 2X15.7	1
18	10022678	针杆小支架	NEEDLE BAR CLAMP	1
19	10022680	弹簧	SPRING, CLUTCHLEVER	2
20	10022679	栓	PIN	1
21	10006458	弹簧	SPRING, RELEASE PIN	1
22	10022681	栓盖	PIN COVER	1
23	10006466	螺钉 SM3/32"×56	SCREW, SM3/32"×56	1
24	10022660	滑块盖板	SLIDE BLOCK GUIDE PLATE	1
25	10013643	螺钉 SM9/64"×40	SCREW, SM9/64"×40	2
26	10006463	滑块组件	SI, IDE BLOCK ASSY	1
27	10022667	毛毡固定架1	FELT SUPPPORT, 1	1
28	10013643	螺钉 SM9/64"×40	SCREW, SM9/64"×40	2
29	10022668	毛毡	FELT	1
30	10013383	止动轴	NEEDLE BAR STOPPER	2
31	10013389	弹簧	SPRING, NEEDLE BAR STOPPER	2
32	10022661	针架前盖板	SPRING COVER	1
33	10013643	螺钉 SM9/64"×40	SCREW, SM9/64"×40	1
34	10006467	油线 L=20	WICK, L=20	1
35	10022666	滑块	SLIDE BLOCK	1
36	10022665	三眼连杆	NEEDLE BAR CRANK ROD	1
37	10022663	螺钉, SM1/8"×40	SCREW, SM1/8"×40	2
38	10022664	针杆止动块	ROTATE STOPPER, N-BAR	2
39	10003102	螺钉 M4X12	SCREW, M4X12	2
40	10022664	针杆防滑垫圈	WASHER, PLANE	2
41	10013384	毛毡	FELT	1
42	10022670	毛毡	FELT	1
43	10022669	毛毡固定架2	FELT SUPPPORT, 2	1
44	10013643	螺钉 SM9/64"×40	SCREW, SM9/64"×40	1
45	10013385	螺钉 SM5/16"×28	SCREW, SM5/16"×28	2
46	10013441	螺钉	SCREW, SM1/4"×40	2
47	10022250	摆轴后套	NEEDLE BAR ROCK SHAFT BUSH(L)	1
48	10013469	螺钉 SM1/4"×28	SCREW, SM1/4"×28	1
49	10022256	针杆摆动连杆	NEEDLE BAR ROCKER LEVER ASSY	1
50	10013348	螺钉 SM1/4"×20	SCREW, SM1/4"×20	1

C. 针杆摆动装置/Needle bar rocking mechanism

序号 No.	件号 Pars No.	名称	Description	数量 Number
52	10022683	针杆摆动杆	ROCKER LINK, N-BAR	
53	10022255	螺钉M6X5	WCREW PAN, M6X5	
54	10022257	摆动杆轴	LINK SHAFT, N-BAR ROCKER P	
55	10003151	螺钉M6X6	WCREW, M6X6	
56	10022258	摆动杆轴套	ZIGZAG LINK BUSH	
57	10003158	螺钉 M6X25	WCREW, M6X25	
58	10022259	垫圈	SET SCREW COLAR	
59	10022260	摆轴曲柄	NEEDLE BAR ROCK ARM	
60	10013228	挡圈	RING	
61	10013464	摆针轴前轴套	NEEDLE BAR ROCK SHAFT BUSH(L)	
62	10013424	针杆接头(左)	NEEDLE CLAMP L	
63	10013392	针杆接头(右)	NEEDLE CLAMP R	
64	10004858	机针	NEEDLE	
65	10008090	油线3X150	WICK 3X150	

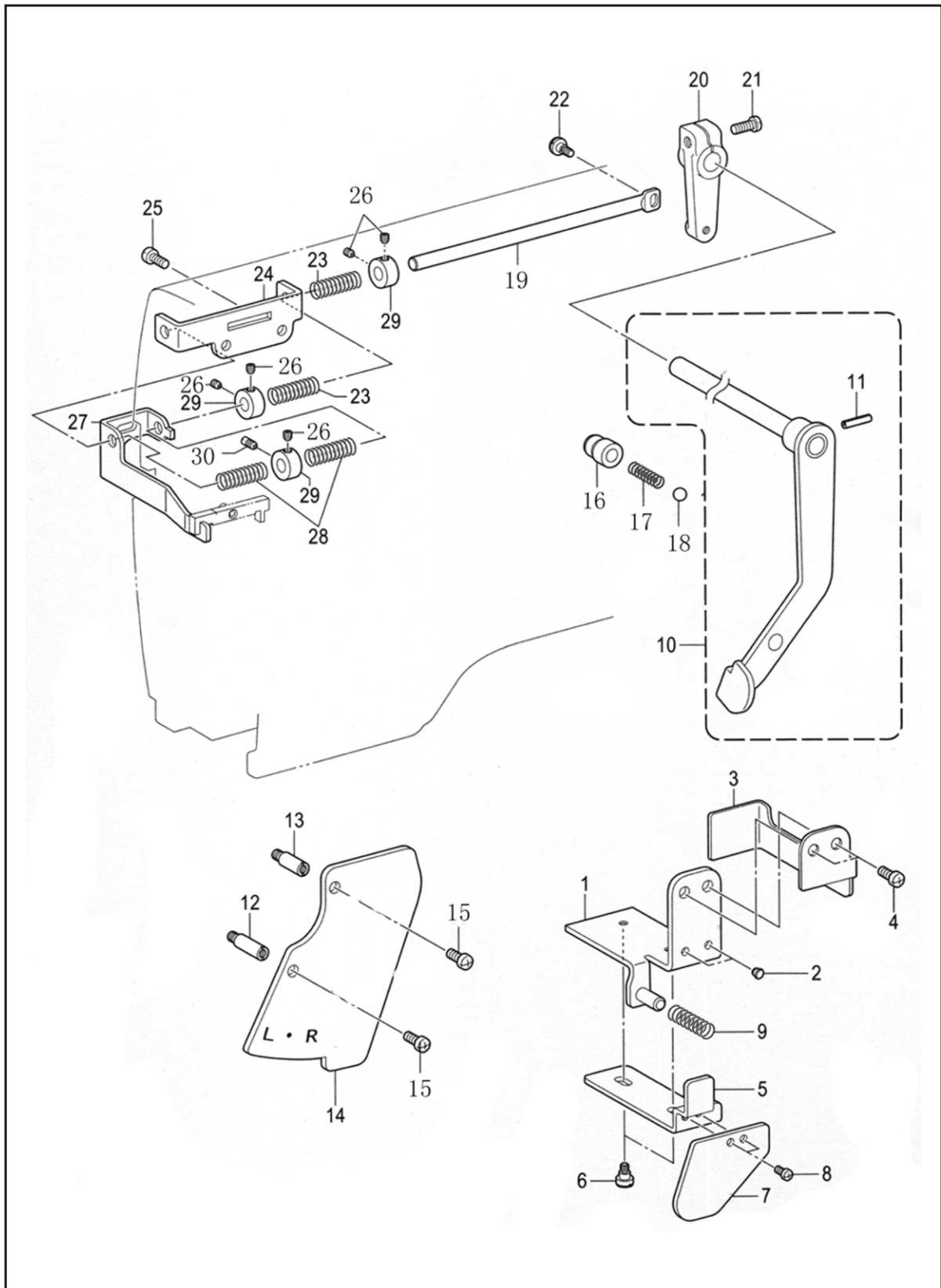
C1 绕线机构 / Bobbin winder mechanism



C1绕线机构/Winder clamp mechanism

序号 No.	件号 Pars No.	名称	Description	数量 Number
1	20002101	绕线器	BOBBIN WINDER UNIT	1
2	10006142	挡圈	RETAINING GING	1
3	10006153	摆动板组件	B=WINDER SHAFT SUPPORT ASSY	1
4	10004685	梭芯卷绕轴	BOBBIN WINDER SHAFT	1
5	10004485	O形圈	O RING	1
6	10006154	垫圈	WASHER, PLAIN	1
7	10004684	绕线轮	BOBBIN WINDER WHEEL	1
8	10004684	螺钉 M3×4	SCREW, M3×4	2
9	10011097	橡胶轮	RETAINING GING	1
10	10006151	绕线定位块	BOBBIN PRESSER CAM	1
11	10013590	螺钉 SM11/64"×40	SCREW, SM11/64"×40	1
12	10006152	绕线凸轮轴	BOBBIN PRESSER CAM	1
13	10004500	O形圈	O RING	1
14	10013038	挡圈	RETAINING GING	1
15	10004486	垫圈	WASHER, PLAIN	2
16	10000736	卷线手柄	BOBBIN WINDER ARM SHAFT	1
17	10000735	螺钉 SM9/64"×40	SCREW SM9/64"×40	2
18	10005682	线量调节板	BOBBIN PRESSER	1
19	10000759	螺钉 SM9/64"×40	SCREW SM9/64"×40	1
20	10004498	卷绕轴垫	BOBBIN SUPPORT	1
21	10004497	控制板	BOBBIN WINDER LEVER	1
22	10004501	弹簧	SPRING	1
23	10004494	弹簧	SPRING	1
24	10013832	螺钉 SM11/64"×40	SCREW SM11/64"×40	3
26	10009130	绕线切刀	KNIFE	1
27	10002937	螺钉 M4×5.50	SCREW M4×5.50	1
28	10013363	绕线夹线器	BOBBIN WINDER TENSION ASSY	1
29	10004393	夹线板	DISC, TENSION	1
30	10004391	弹簧	SPRING	2
31	10004390	塑料夹线螺母	TENSION NUT	1
32	10006437	中过线板组件	BOBBIN WINDER TENSION ASSY	1

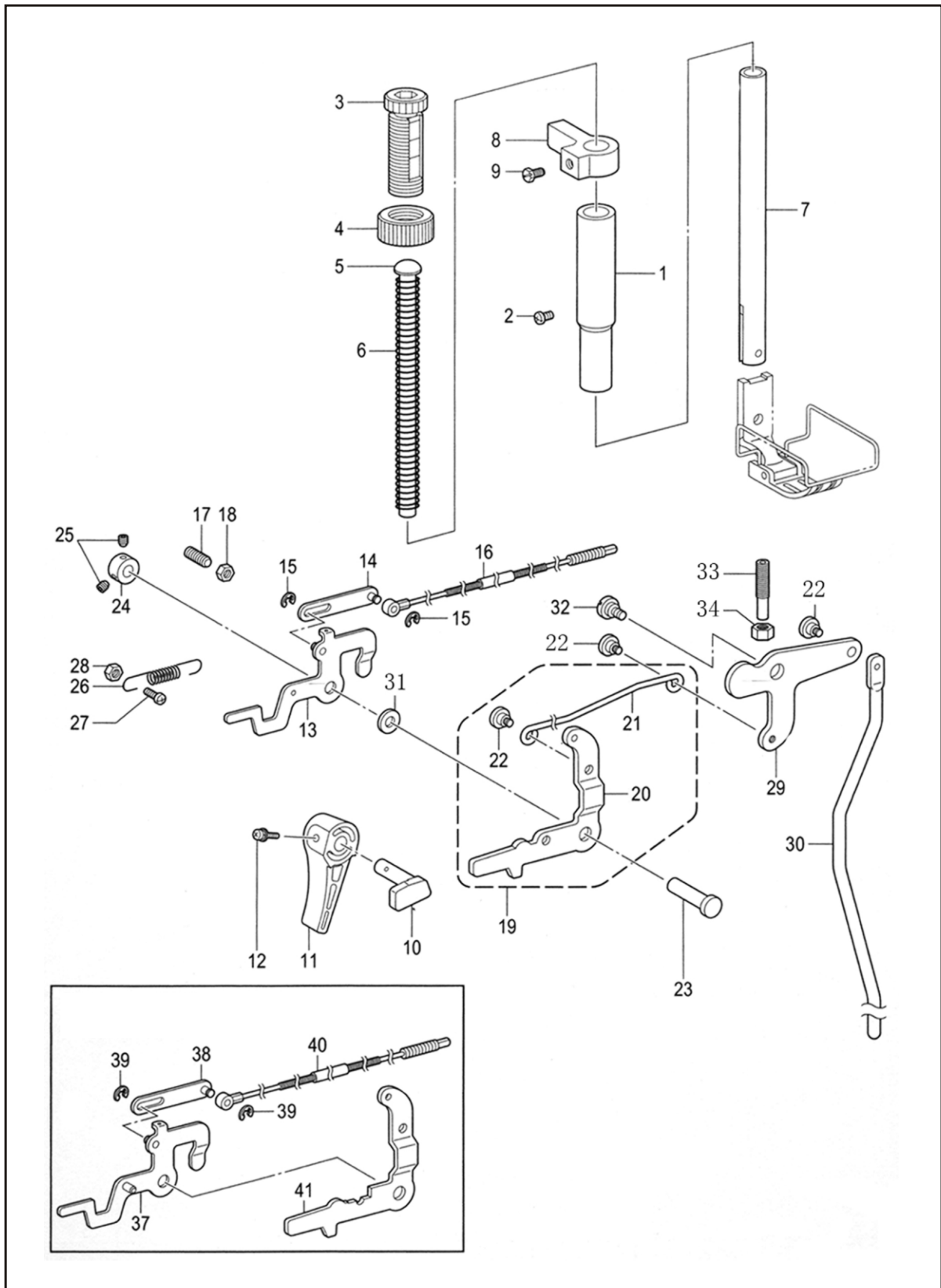
D. 针杆切换操作装置/Needle bar flip-up mechanism



D. 针杆切换操作装置Needle bar filp-up mechanism

序号 No.	件号 Pars No.	名称	Description	数量 Number
1	10022644	压板组件	INDICATION PLATE ASSY	1
2	1002244	橡皮塞 4.3	RUBBER CAP 4.3	2
3	10022643	压板护板	HOLDER PLATE COVER	1
4	10013655	螺钉 SM3/16"×32	SCREW, PAN SM3/16"×32	2
5	10022645	推板	PISH LEVER	1
6	10013330	螺钉 SM11/64"×40	SCREW, SM11/64"×40	2
7	10022456	推板支承板	PUSH LEVER PLATE	1
8	10013598	螺钉 SM9/64"×40	SCREW, SM9/64"×40	2
9	10013335	弹簧	SPRING	2
10	10022646	针杆控制杆组件	STOP LEVER SHAFT ASSY	1
11	10006428	销	PIN, SPRING 3×18	1
12	10013314	螺栓 (大)	STUD(L)	1
13	10013309	螺栓 (小)	STUD(S)	1
14	10022457	分离固定板	FLIP-UP HOLDER PLATE	1
15	10013655	螺钉SM3/16"×32	SCREW, PAN SM3/16"×32	2
16	10013312	弹簧套	BALL GUDE BUSH	1
17	10013319	弹簧	SPRING	1
18	10013306	钢珠	BEARING BALL1/4	1
19	10013339	拉杆	SLIDE SHAFT	1
20	10022245	针杆控制轴曲柄	LEVER SHAFT ARM	1
21	10013333	螺钉SM3/16"×32	SCREW, SM3/16"×32	1
22	10013340	螺钉SM11/64"×40	SCREW, SM11/64"×40	1
23	10013388	弹簧	SPRING	2
24	10013342	滑动轴拖架	SLIDE SHAFT BRACKET	1
25	10013598	螺钉SM9/64"×40	SCREW, SM9/64"×40	2
26	10013379	螺钉SM9/64"×40	SCREW, SM9/64"×40	3
27	10013378	滑动杆	SLIDE SHAFT SOUPPORT PLATE	1
28	10013387	弹簧	SPRING	2
29	10013375	挡圈	SET SCREW COLLAR	3
30	10013381	螺钉 SM9/64"×40	SCREW, SM9/64"×40	1

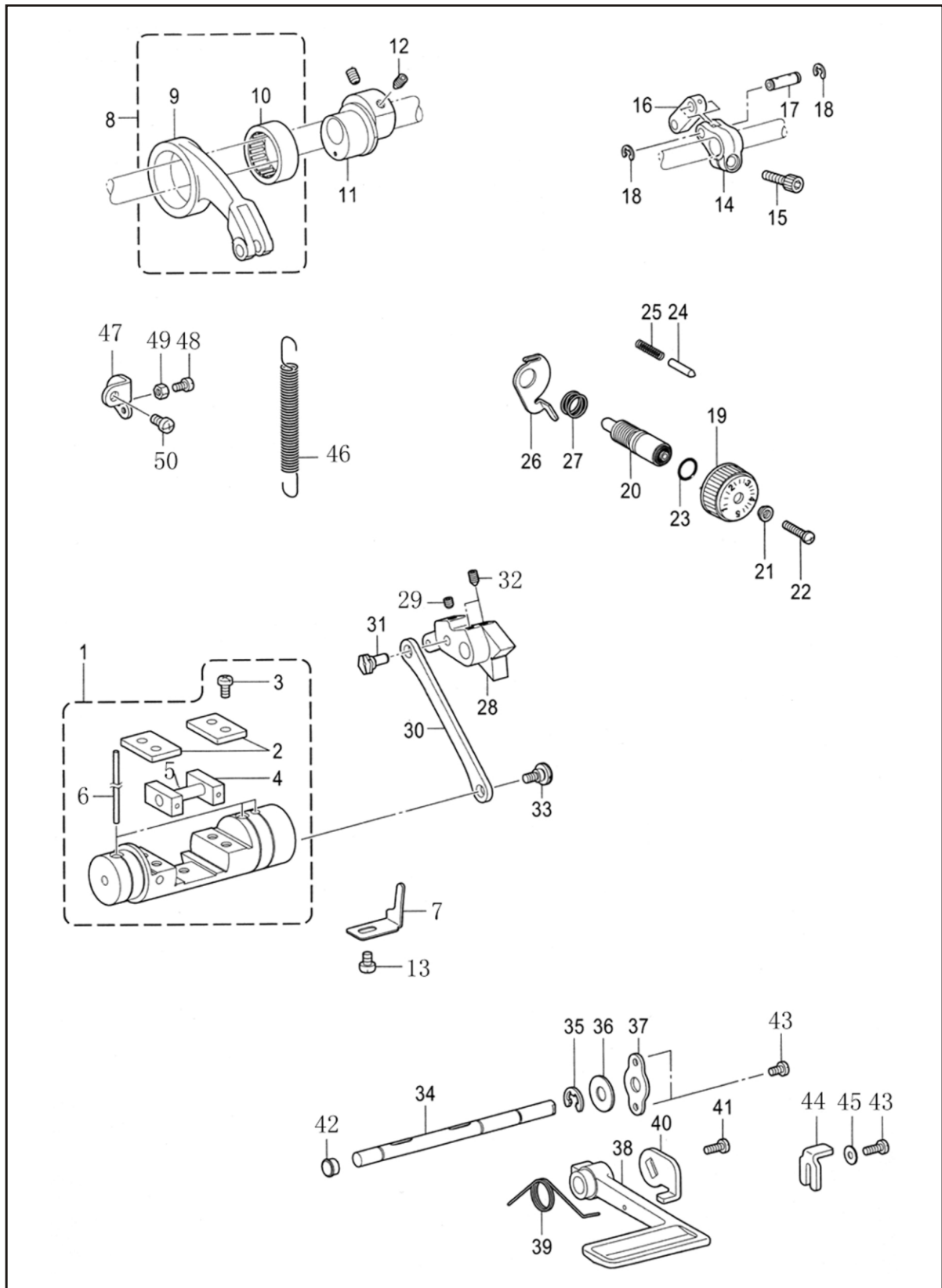
E . 压脚装置 / Presser foot mechanism



E.压脚机构/Presser foot mechanism

序号 No.	件号 Pars No.	名称	Description	数量 Number
1	10022465	压紧杆轴套	PRESSER BAR BUSH	1
2	10013598	螺钉 SM9/64"×40	SCREW, SM9/64"×40	1
3	10013237	调压螺钉	PRESSER ADJUST SCREW	1
4	10013240	调压螺母	PRESSER ADJUST NUT	1
5	10012155	压杆弹簧导柱	SPRING GUIDE	1
6	10013251	弹簧	PRESSER SPRING,-5	1
7	10022466	压杆	PRESSERBAR	1
8	10013584	压杆导架	PRESSER BAR GUIDE BRACKET	1
9	10013591	螺钉 SM15/64"×28	SCREW , SM15/64"×28	1
10	10013213	压杆提升凸轮	PRESSER BAR LIFTER STUD	1
11	10013229	压脚扳手	PRESSER BAR LIFTER	1
12	10012154	螺钉 SM9/64"×40	SCREW, SM9/64"×40	1
13	10013578	膝提前内板组件	TENSION RELEASE PLATE ASSY	1
14	10006602	松线钢丝拉板组件	T-RELEASE CONNECTING ROD ASSY	1
15	10009669	挡圈	RETAINING RING	2
16	10006582	松线钢丝软管	TENSION RELEASE WIRE	1
17	10013223	螺钉 SM9/64"×40	SCREW, SM9/64"×40	1
18	10013246	螺母	NUT , SM9/64"×40	1
19	20008036	膝控前外板组件	PRESSER BAR LIFER LEVER ASSY	1
20	10013587	膝提前外板	PRESSER BAR LIFER LEVER	1
21	10022467	膝控提升拉杆	KNEE LIFTER CONNECTING ROD	1
22	10013217	螺钉 SM3/16"×40	SCREW, SM3/16"×40	1
23	10013219	膝提前拔销	P-BAR LIFTING LEVER SHAFT	1
24	10013594	挡圈	RETAINING RING	1
25	10013590	螺钉 SM11/64"×40	SCREW, SM11/64"×40	2
26	10013224	膝控前板拉簧	SPRING	1
27	10013223	螺钉SM9/64"×40	SCREW SM9/64"×40	1
28	10013246	螺母SM9/64"×40	NUT, SM9/64"×40	1
29	10022705	膝控后杠杆 (2845)	KNEE LIFTER LEVER	1
30	10022706	膝控提升拉杆	KNEE LIFTER CONNECTING ROD	1
31	10013220	膝提内外板垫	WASHER, PLAIN	1
32	10013217	螺钉SM3/16"×40	SCREW SM3/16"×40	1
33	10022294	螺钉	SCREW	1
34	10003078	螺母	NUT	1

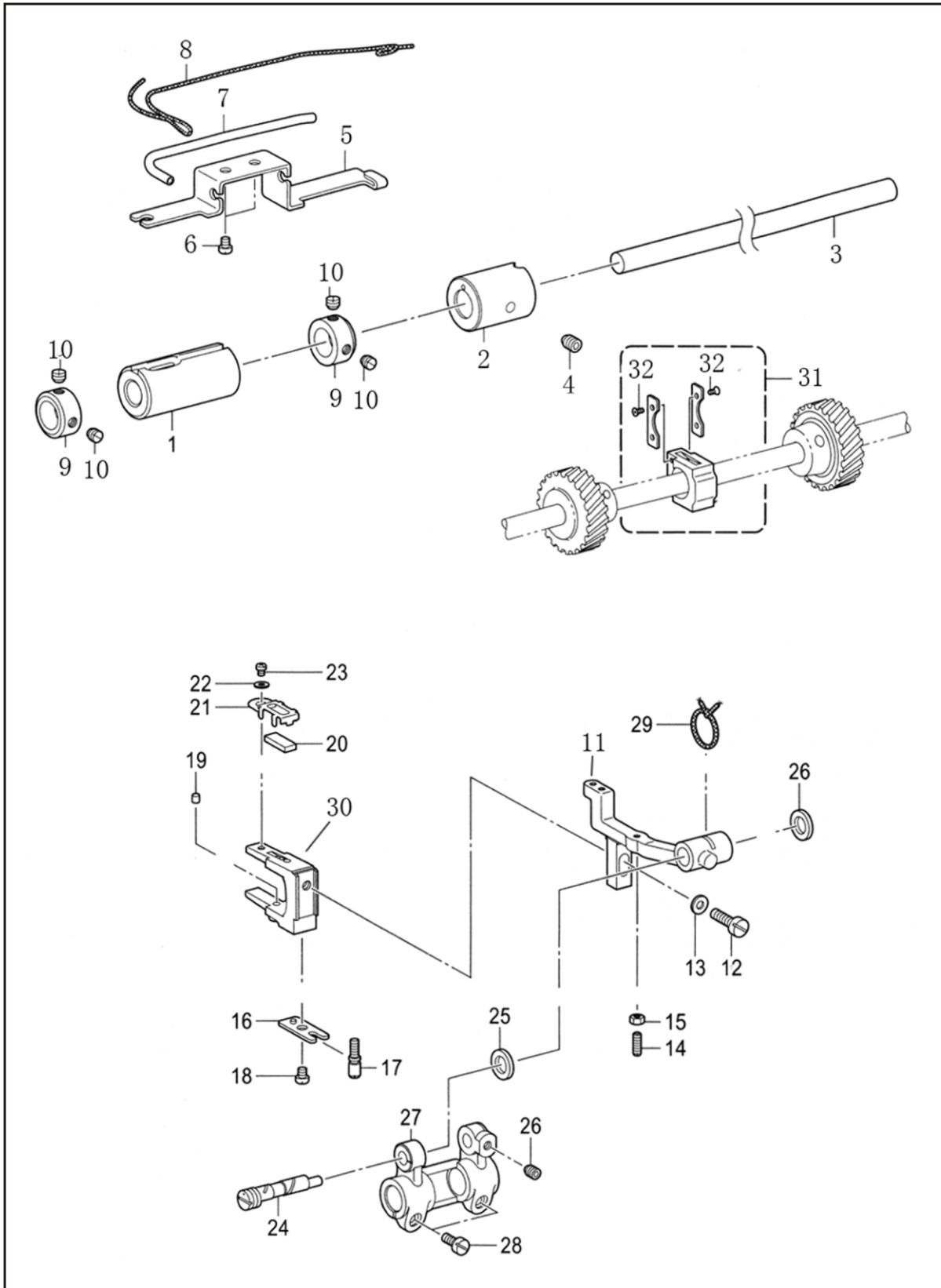
F.送布装置 / Feed mechanism



F. 送料机构/ Feed mechanism

序号 No.	件号 Pars No.	名称	Description	数量 Number
1	10022284	送布调整轴组件(5)	FEED REGULATOR(L) ASSY	1
1	10022328	送布调整轴组件(4/7)	FEED REGULATOR(L) ASSY	1
2	10022695	滑块导板	SLIDE BLOCK GUIDE PLATE	2
3	10003042	螺钉 M5×10	SCREW,PAN M5×10	4
4	10006500	倒缝滑块	FEED REGULATOR SLIDE BLOCK A.	1
5	10006498	滑块轴	SLIDE BLOCK SHAFT	1
6	10008097	油线	FELT	1
7	10013476	送布调整轴挡片	FEED REGULATOR STOPPER	1
8	20001071	送布摇动连杆组件	FEED ROCK CONNECTING ROD ASSY	1
9	10013507	送布摇动连杆	FEED ROCK CONNECTING ROD	1
10	10013554	轴承	BEARING	1
11	10013551	送布偏心轮	LEVEL ECCENTRIC WHEEL WITH SCR	1
12	10013465	螺钉 SM1/4"×40	SCREW, SM1/4"×40	2
13	10013499	螺钉 SM3/16"×32	SCREW, SM3/16"×32	1
13	10013579	送布曲柄	FEED ROCK ARM	1
14	10013493	送布曲柄(203)	FEED ROCK ARM(203)	1
15	10013403	螺钉SM1/4"×28	SCREW, SM1/4"×28	1
16	10013552	送布摇动臂连板	FEED ROCK ARM LINK	1
17	10013581	送布曲柄销	FEED ROCK RING, SHAFT	1
18	10013582	卡簧	RETAINING RING,E6	2
19	10013367	针距标盘	STITCH LENGTH DIAI	1
20	10009085	针距调节螺杆	STITCH CONTROL SCREW	1
21	10009085	针距标盘套	LENGTH CONTROL PLATE SUPPOR	1
22	10012150	螺钉, SM3/16" ×28	SCREW, SM3/16" ×28	1
23	10014409	O型圈	O RING	1
24	10012151	销	POSITIONING PIN	1
25	10012153	弹簧	SPRING	1
26	10022703	旋扭限位板	REVERSE LEVER STOPPER	1
27	10022464	弹簧	SPRING	1
28	10022696	针距座	FEED REGULATOR	1
29	10003151	螺钉 M6X6	SCREW,M6X6	1
30	10013547	针距连杆	FEED REGULATOR CONNECTING ROD	1
31	10013553	送布调整偏心轴	ECCENTRIC SHAFT	1
32	10012828	螺钉 M6X5	SCREW, M6X5	2
33	10022285	螺钉	SCREW	1
34	10022285	扳手轴	STITCH LEVER SHAFT, ST	1
35	10013248	卡簧	RETAINING RING	1
36	10013508	垫圈	WASHER, PLAIN	1
37	10022708	倒缝扳手轴限位板	SPACER	1
38	10013417	倒缝扳手	REVERSE LEVER STOPPER	1
39	10013501	倒缝扳手复位簧	SPRING	1
40	10022709	倒缝扳手限位板	SPRING, FEED REGULATOR	1
41	10013577	螺钉, SM3/16"×32	SCREW, SM3/16"×32	1
42	10013586	橡胶塞	RUBBER CAP	1
43	10003042	螺钉 M5X10	SCREW, M5X10	3
44	10022707	倒缝扳手限位架	STOPPER	1
45	10003073	垫圈	WASHER	1
46	10022779	弹簧	SPRING	1
47	10022302	弹簧挂钩	SPRING POTHOOK	1
48	10003041	螺钉 M5×12	SCREW, M5×12	1
49	10003074	螺母	NUT	1
50	10013663	螺钉 SM1/4"×28	SCREW, SM1/4"×28	1

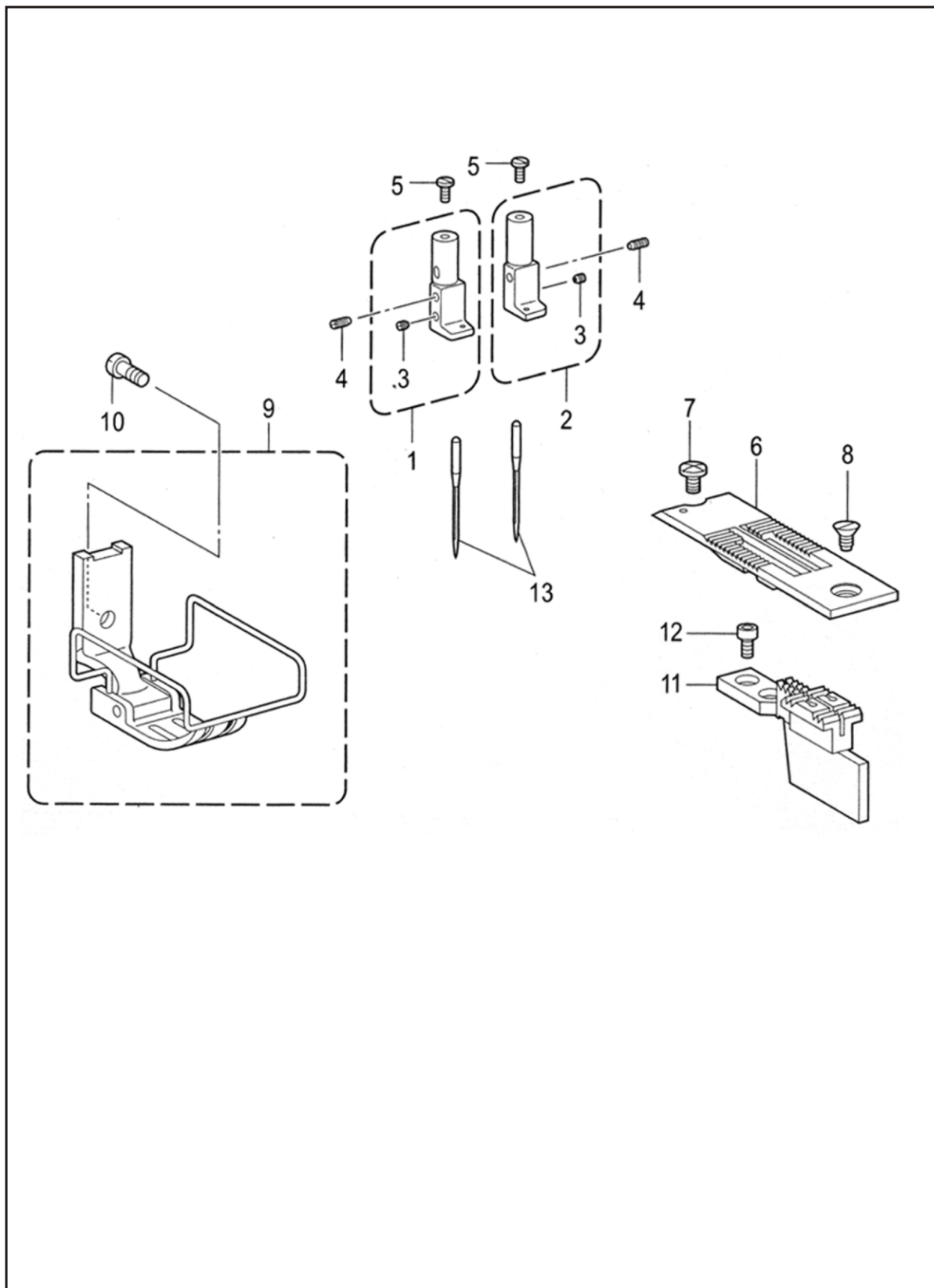
H. 送料轴装置/Feed shaft mechanism



H. 送料轴机构/Feed shaft mechanism

序号 No.	件号 Pars No.	名称	Description	数量 Number
1	10022291	送料轴前轴套	FEED SHAFT BUSH(L)	1
2	10022292	送料轴后轴套	FEED SHAFT BUSH(R)	2
3	10022293	送料轴	FEED ROCK SHAFT	3
4	10013469	螺钉 SM1/4"×28	SCREW, SM1/4"×28	4
5	10022317	油线支架	WICK SUPPORT	5
6	10013598	螺钉SM9/64"×40	SCREW, SM9/64"×40	6
7	10007800	φ3×φ5油管	OIL TUBE	7
8	10008091	φ3油线	WICK	8
9	10013517	止推环	SET SCREW COLLAR	9
10	10013441	螺钉 SM1/4"×40	SCREW, SM1/4"×40	10
11	10022462	牙架	FEED BAR, ST	11
12	10013513	螺钉 SM15/64"×28	SCREW, SM15/64"×28	12
13	10013509	垫圈	THRUST RING	13
14	10013519	螺钉SM1/8"×40	SCREW, SM1/8"×40	14
15	10013516	螺母SM1/8"×40	NUT, SM1/8"×40	15
16	10022698	拾牙叉固定板	FORKED PLATE	16
17	10022699	螺栓	ADJUSTING SCREW, HIGHT	17
18	10002940	螺钉M3×6	SCREW, M3×6	18
19	10022286	毛毡	FELT	19
20	10022287	毛毡	FELT	20
21	10022288	毛毡固定架	FELT HOLDER	21
22	10002998	垫圈	SHAFT	22
23	10003063	螺钉M3×4	SCREW, M3×4	23
24	10022289	销	SHAFT	24
25	10022290	垫圈	RING	25
26	10003151	螺钉M6×6	SCREW, M6×6	26
27	10022463	牙架曲柄	FEED ROCK BASE ARM	27
28	10013541	螺钉SM11/64"×40	SCREW, SM11/64"×40	28
29	10008091	油线	WICK	29
30	10022697	拾牙叉	FEED BAR FORK	30
31	10022700	角滑块组件	FEED BAR SLIDE BLOCK ASSY	31
32	10010595	螺钉M2×4	SCREW, M2×4	32

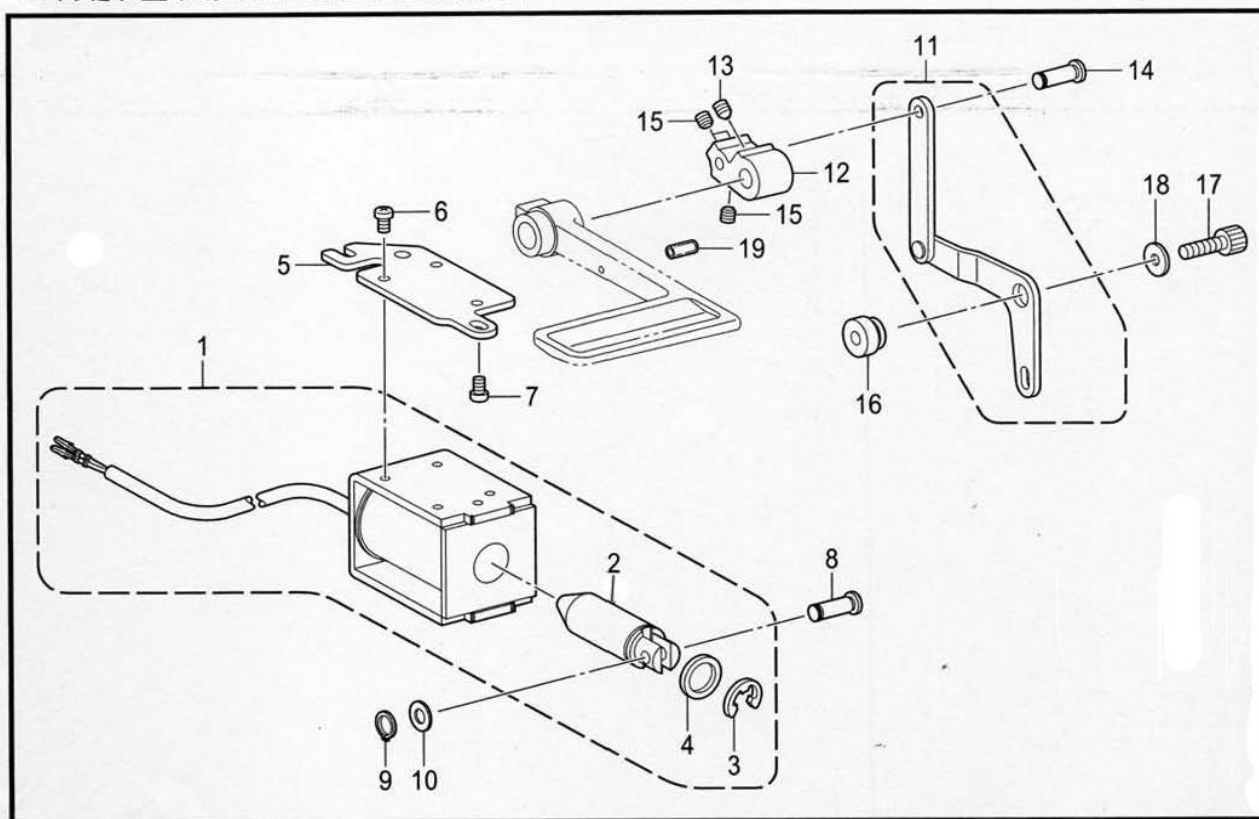
P. 针组零件 / Gauge parts



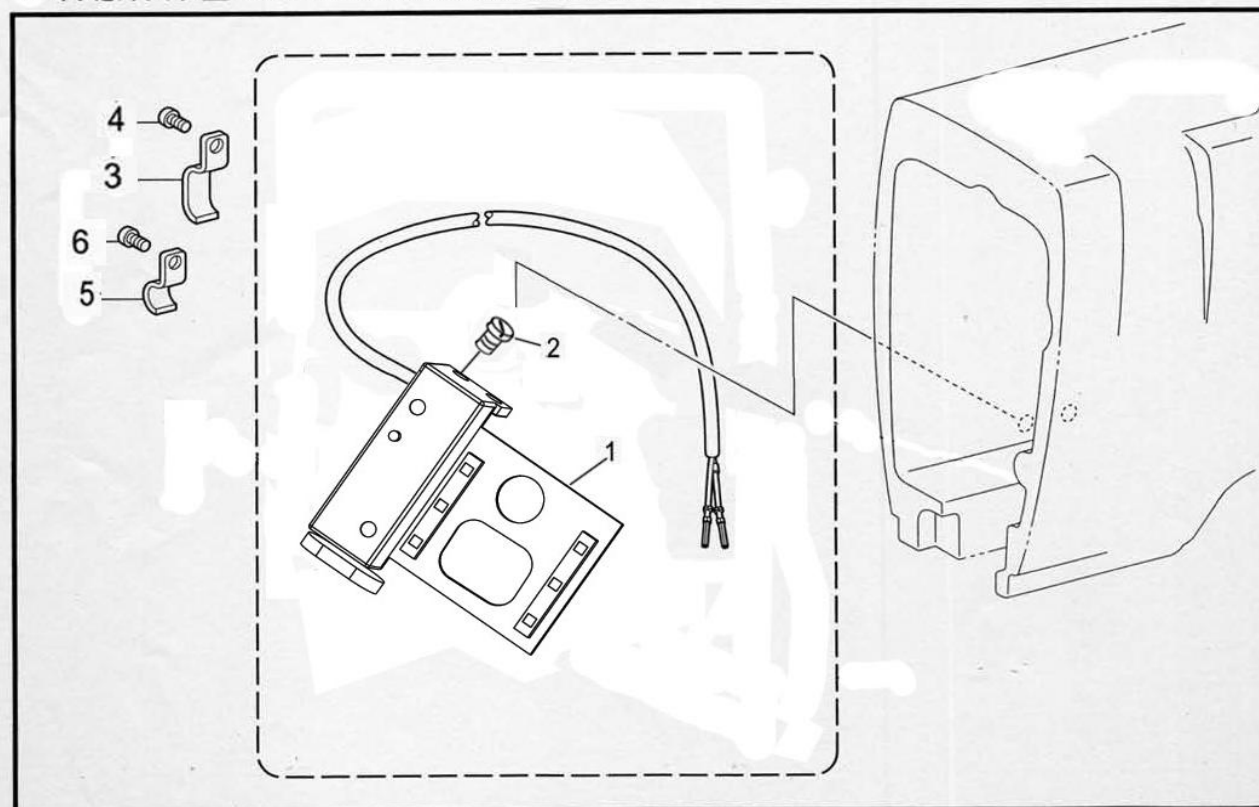
P. 针位零件/ Gauge parts

序号 No.	件号 Pars No.	名称	Description	数量 Number
1	10013424	针杆接头 (左)	NEEDLE CLAMP (L)	1
2	10013392	针杆接头 (右)	NEEDLE CLAMP (R)	1
3	10013427	螺钉SM1/8"×40	SCREW, SM1/8"×40	2
4	10013391	螺钉SM1/8"×40	SCREW, SM1/8"×40	2
5	10013431	螺钉SM1/8"×40	SCREW, SM1/8"×40	2
6	10022648	针板 (2845)	NEEDLE PLATE	1
6	10022246	针板 (2875)	NEEDLE PLATE	1
6	10013308	针板 (205)	NEEDLE PLATE	1
6	10013487	针板 (203)	NEEDLE PLATE	1
7	10013608	螺钉SM11/64"×40	SCREW, SM11/64"×40	1
8	10013522	螺钉SM11/64"×40	SCREW, SM11/64"×40	1
11	10013226	送料牙 (284)	FEED DOG (284)	1
11	10006600	送料牙 (287)	FEED DOG (287)	1
11	10013540	送料牙 (201)	FEED DOG (201)	1
11	10013526	送料牙 (203)	FEED DOG (203)	1
12	10013542	螺钉SM1/8"×44	SCREW, SM1/8"×44	1
9	10002716	压脚组件 (284)	PRESSER FOOT ASSY (284)	1
9	10013492	压脚组件 (287)	PRESSER FOOT ASSY (287)	2
10	10013221	螺钉SM9/64"×40	S SCREW, M9/64"×40	2
13	10004858	机针 DP×5 14#	NEEDLE DP×5 14#	2
13	10004869	机针 DP×5 21#	NEEDLE DP×5 21#	2

J. 倒缝装置 / Quick reverse mechanism



W. 倒缝开关装置 / Quick reverse switch mechanism



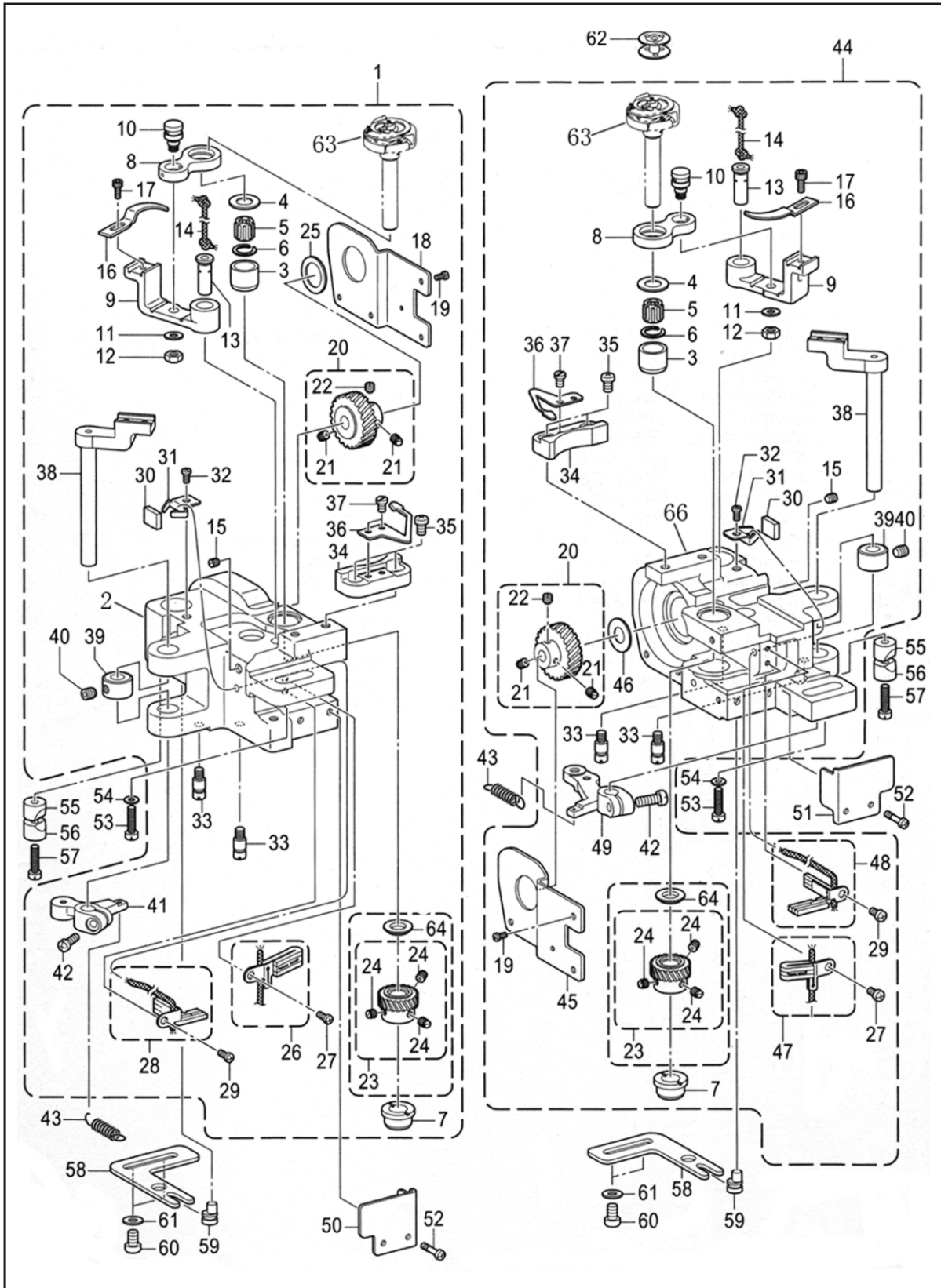
J. 倒缝机构/ Quick reverse mechanism

序号 No.	件号 Pars No.	名称	Description	数量 Number
1	10022323	倒缝电磁铁组件	QUICK REVERSE SOLENOID ASSY	1
2	10003492	倒缝电磁铁铁心组件	QUICK REVERSE SOLENOID ASSY	1
3	10006334	橡胶垫	RUBBER STOPPER	1
4	10006332	档圈	RETAINING RING	1
5	10022728	电磁铁安装板	SOLENOID BRACKET	1
6	10009456	螺钉 M5×8	SCREW, M5×8	1
7	10013576	螺钉, SM1/4"×28	SCREW, SM1/4"×28	1
8	20006595	倒送电磁铁连接销	PIN	1
9	10022742	挡圈.	RETAINING RING	1
10	20006596	垫圈	RETAINING RING	1
11	10025481	连杆组件	SOLENOID LEVER ASSY	1
12	10022325	反转曲柄	QUICK REVERSE LEVER	1
13	10012828	螺钉 M6X5	SCREW, M6X5	2
14	10022738	销	PIN	1
15	10003151	螺钉M6X6	SCREW,M6X6	1
16	10022326	衬套	SOLENOID LEVER SHAFT	1
17	10013403	螺钉SM1/4"×28	SCREW, SM1/4"×28	1
18	10022739	垫圈	RETAINING RING	1
19	10013621	倒缝板手螺柱套	NYLON TUBE	1

W. 倒缝开关组件/ Quick reverse switch mechanism

1	10030239	照明灯组件_2845-BD-D3		1
1	10030241	照明灯组件_2845-BD		1
2	10013658	螺钉SM11/64"×40	SCREW, SM11/64"×40	2
3	10022759	电线压板	CORD HOLDER	1
4	10009456	螺钉 M5X8	SCREW,M5X8	1
5	10012421	线夹	CORD HOLDER	1
6	10013598	螺钉 SM11/64"×40	SCREW, SM11/64"×40	1

K1. 旋梭装置 / Rotary hook mechanism



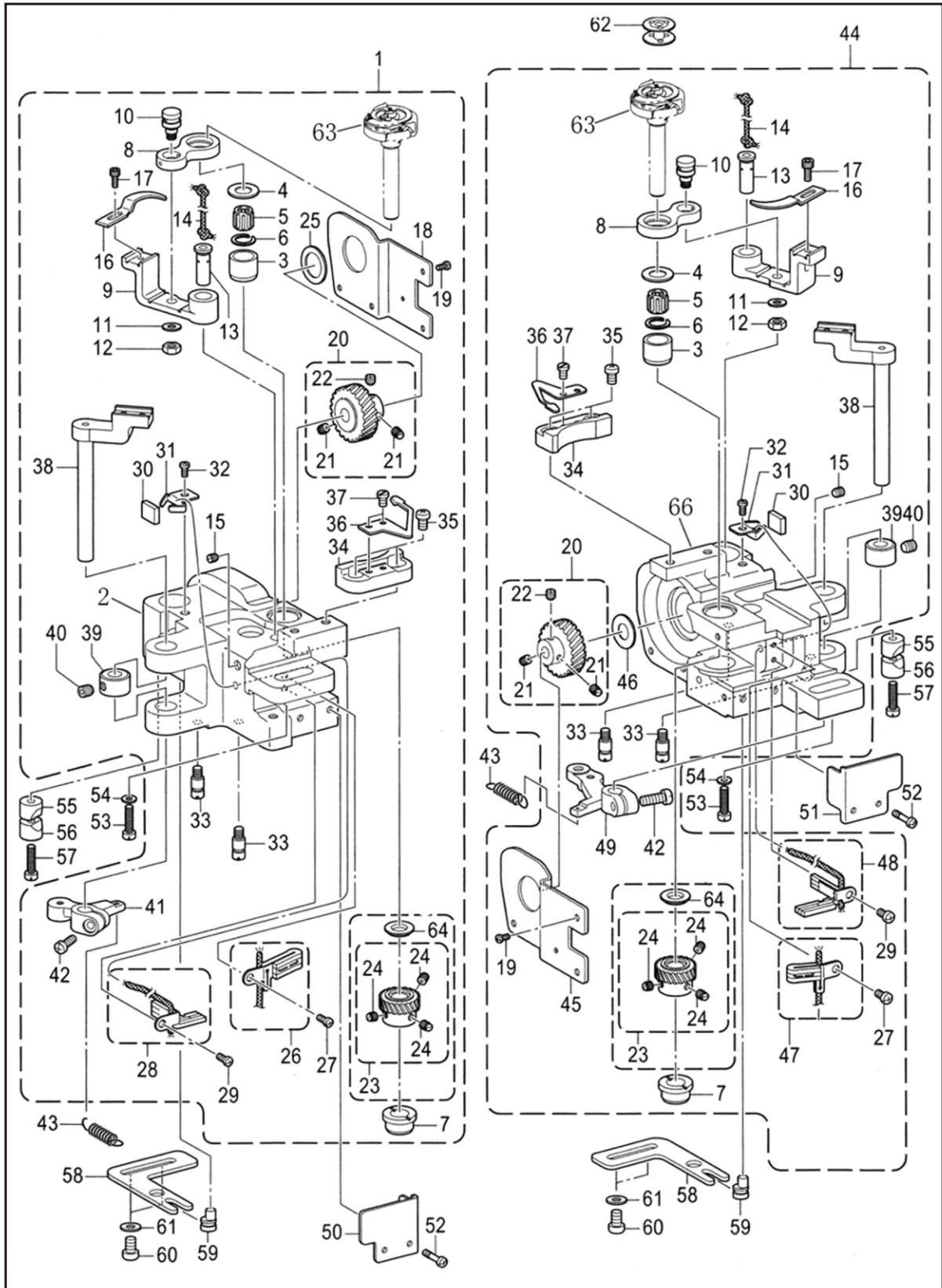
K1. 旋梭装置/ Rotary hoot mechanism

序号 No.	件号 Pars No.	名称	Description	数量 Number
1	20007801	左梭架组件(201)	ROTARY HOOK BASE, 201L	1
1	20006576	左梭架组件(211)	ROTARY HOOK BASE, 211L	1
1	20008270	左梭架组件(203)	ROTARY HOOK BASE, 203L	1
1	20008118	左梭架组件 (221)	ROTARY HOOK BASE, 221L	1
	10025614	左梭架 (201)	ROTARY HOOK (201)	1
2	10022685	左梭架 (211)	ROTARY HOOK (211)	1
	10025616	左梭架 (203)	ROTARY HOOK (203)	1
2	10022773	左梭架 (221)	ROTARY HOOK (221)	1
3	10013708	梭轴上轴套(2842)	ROTARY HOOK SHAFT BUSH(U)(2842)	1
3	10013462	梭轴上轴套(2872)	ROTARY HOOK SHAFT BUSH(U) (2872)	1
4	10022268	轴承端盖	THRUST RING	1
5	10006628	滚针轴承	NEEDLE BEARING	1
6	10013713	挡圈	STOP RING	1
7	10022269	梭轴下轴套	ROTARY HOOK SHAFT BUSH(D)	1
8	10013654	分线连杆(2845)	OPENER LINK (2845)	1
8	10013461	分线连杆(2875)	OPENER LINK (2875)	1
9	10013712	分线摆动连杆(2845)	OPENER LEVER (2845)	1
9	10013460	分线摆动连杆(2875)	OPENER LEVER (2875)	1
10	10013712	分线连杆连接轴	OPENER LINK SHAFT	1
11	10013691	垫圈	WASHER	1
12	10013710	螺母SM3/16"×32	NUT, SM3/16"×32	1
13	10022689	摆动杆轴	OPENER LEVER SHAFT	1
14	10008091	油线	WICK	1
15	10022265	螺钉SM3/16"×32	SCREW,SM3/16"×32	1
16	10013651	分线勾(2845)	OPENER (2845)	1
16	10013482	分线勾(2875)	OPENER (2875)	1
17	10006624	螺钉 SM9/64"×40	SCREW, SM9/64"×40	1
18	10022261	齿轮挡片 (左)	GEAR GUIDE (L)	1
19	10013598	螺钉SM9/64"×40	SCREW, SM9/64"×40	1
20	10027631	下轴齿轮组件	SPIRAL GEAR SCREW ASSY	1
21	10013438	螺钉SM1/4"×40	SCREW,SM1/4"×40	2
22	10013685	螺钉SM1/4"×40	SCREW,SM1/4"×40	1
23	10006678	梭轴齿轮组件	PINION GEAR SCREW ASSY	1
24	10006338	螺钉SM11/64"×40	SCREW, SM11/64"×40	3
25	10022263	齿轮垫圈L	THRUST WASHER, L	1
26	10013598	毛毡架组件左	FELT UL ASSY	1
27	10013598	螺钉SM9/64"×40	SCREW, SM9/64"×40	1
28	20006582	毛毡架组件(左)	FELT UL ASSY	1
29	10013598	螺钉SM9/64"×40	SCREW, SM9/64"×40	1
30	10022273	毛毡	FELT	1
31	10022264	毛毡固定架	FELT UL	1
32	10013598	螺钉SM9/64"×40	SCREW, SM9/64"×40	1
33	10022265	螺钉	SCREW	2
34	10013660	动刀护板座	MOVABLE KNIFE BRACKET	1
35	10013658	螺钉SM11/64"×40	SCREW, SM11/64"×40	2
36	10013659	护刀板	SPRING, PLATE	1
37	10013625	螺钉SM1/8"×44	SCREW, SM1/8"×44	2
38	10013700	剪线刀座	MOVABLE KNIFE LEVER	1
39	10013662	挡圈	SET SCREW COLLAR	1

K1. 旋梭装置/ Rotary hoot mechanism

序号 No.	件号 Pars No.	名称	Description	数量 Number
40	10013657	螺钉SM1/4"×40	SCREW, SM1/4"×40	2
41	10022470	剪线连接座 (左)	THREAD TRIMMER LEVER, L	1
42	10013616	螺钉SM11/64"×40	SCREW, SM11/64"×40	1
64	10022268	轴承端盖	THRUST RING	1
43	10013622	剪线复位弹簧	SPRING, EXTENSION	1
50	10022262	旋梭防尘盖(左)	ROTARY HOOK BASE COVER, L	1
51	10022272	旋梭防尘盖(右)	ROTARY HOOK BASE COVER, R	1
52	10013598	螺钉SM9/64"×40	SCREW, SM9/64"×40	4
53	10013676	螺钉SM1/4"×28	SCREW, SM1/4"×28	2
54	10013678	垫圈	WASHER, PLAIN	2
55	10006681	锁紧套管(上)	PINCH SLEEVE	2
56	10006683	锁紧套管(下)	PINCH SLEEVE	2
57	10006684	螺钉, SM15/64"×28	SCREW, SM15/64"×28	2
58	10022267	梭架调节板	NEEDLE UPPER POSITIONING PLATE	2
59	10022688	梭架调节销	NEEDLE UPPER POSITIONING SHAFT	2

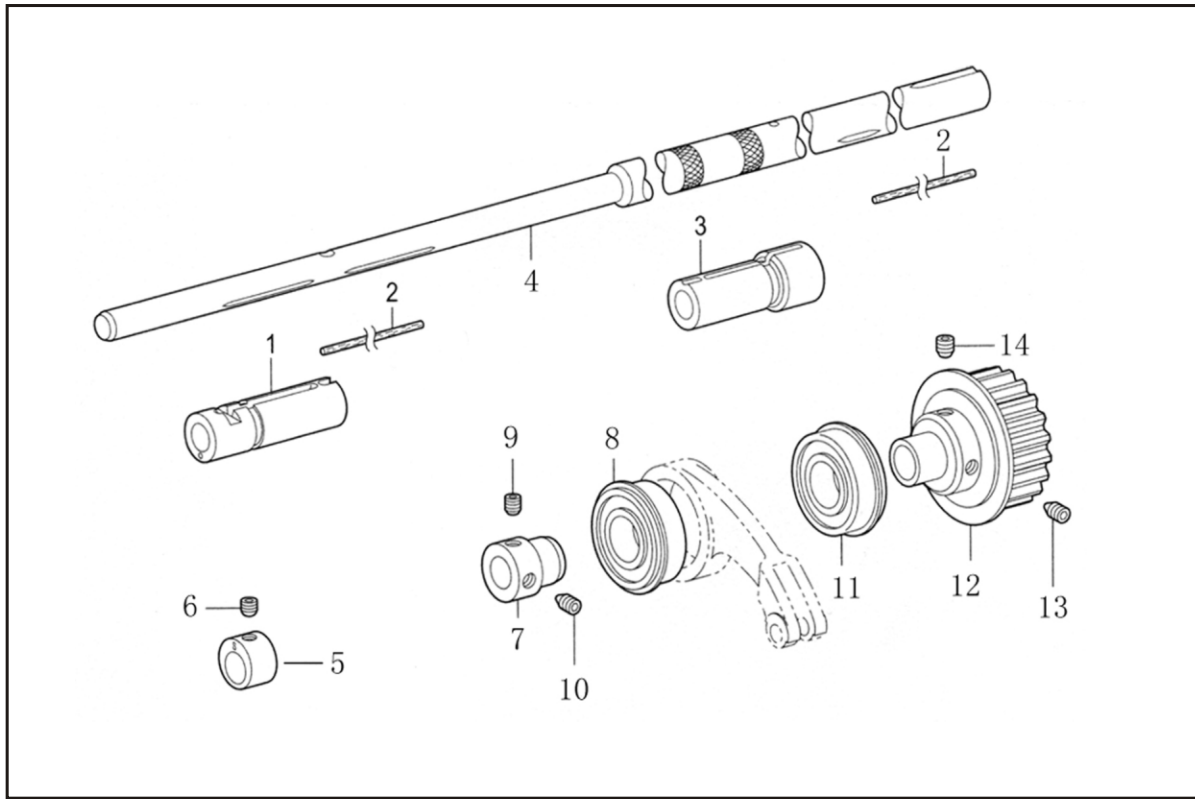
K2. 旋梭装置 / Rotary hook mechanism



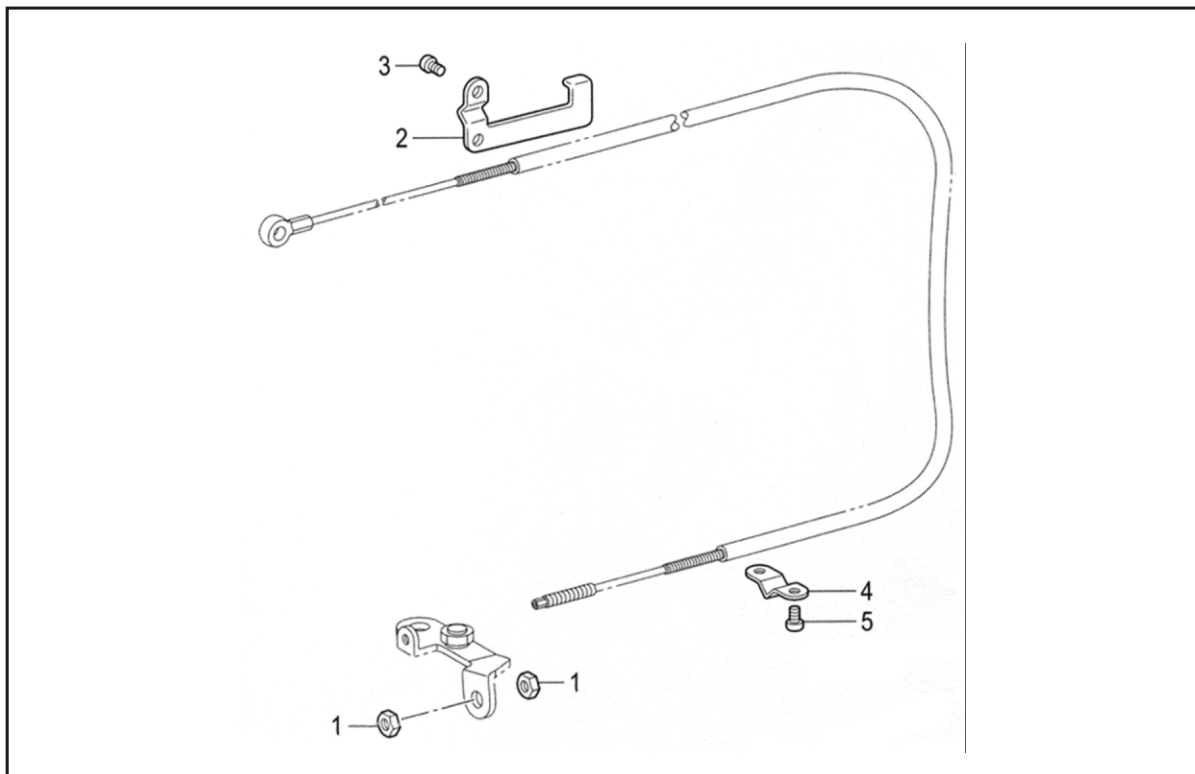
K2. 旋梭装置/ Rotary hoot mechanism

序号 No.	件号 Pars No.	名称	Description	数量 Number
44	20007802	右梭架组件201	ROTARY HOOK BASE, 201R	1
44	20006577	右梭架组件211	ROTARY HOOK BASE, 211R	1
44	20008271	右梭架组件(203)	ROTARY HOOK BASE, 203R	1
44	20008279	右梭架组件(221)	ROTARY HOOK BASE, 221R	1
66	10025615	右梭架(201)	ROTARY HOOK(201)	1
66	10022687	右梭架(211)	ROTARY HOOK(211)	1
66	10025617	右梭架(203)	ROTARY HOOK(203)	1
66	10022774	右梭架(215)	ROTARY HOOK(215)	1
45	10022271	齿轮挡片(右)	GEAR GUIDE (R)	1
46	10022266	齿轮垫圈R	THRUST WASHER, R	1
47	20006581	毛毡架组件右	FELT UL ASSY	1
27	10013598	螺钉, SM9/64"×40	SCREW, SM9/64"×40	1
48	20006583	毛毡架组件(右)	FELT UL ASSY	1
29	10013598	螺钉, SM9/64"×40	SCREW, SM9/64"×40	1
30	10022273	毛毡	FELT	1
31	10022264	毛毡固定架	FELT UL	1
32	10013598	螺钉, SM9/64"×40	SCREW, SM9/64"×40	1
33	10022265	螺钉	SCREW	2
34	10013660	动刀护板座	MOVABLE KNIFE BRACKET	1
35	10013658	螺钉SM11/64"×40	SCREW, SM11/64"×40	2
36	10013659	护刀板	SPRING, PLATE	1
37	10013625	螺钉SM1/8"×44	SCREW, SM1/8"×44	2
38	10013700	剪线刀座	MOVABLE KNIFE LEVER	1
39	10013662	挡圈	SET SCREW COLLAR	1
40	10013657	螺钉SM1/4"×40	SCREW, SM1/4"×40	2
49	10022471	剪线连接座(右)	THREAD TRIMMER LEVER, R	1
42	10013616	螺钉SM11/64"×40	SCREW, SM11/64"×40	1
64	10026981	轴承端盖(0.8)	THRUST RING(0.8)	1
64	10026982	轴承端盖(1.0)	THRUST RING(1.0)	1
64	10026983	轴承端盖(1.2)	THRUST RING(1.2)	1
64	10026984	轴承端盖(1.4)	THRUST RING(1.4)	1
60	10013663	螺钉SM1/4"×28	SCREW, SM1/4"×28	4
61	10013678	挡圈	SET SCREW COLLAR	4
62	10013653	梭芯(2842)	BOBBIN(2842)	2
62	10013483	梭芯(2872)	BOBBIN(2872)	2
63	10006756	旋梭+梭壳(2845)	ROTARY HOOK BOX ASSY(284)	2
63	10006735	旋梭+梭壳(2875)	ROTARY HOOK BOX ASSY(287)	2

M1. 下轴装置 / Lower shaft mechanism



S. 松线装置 / Tension release mechanism



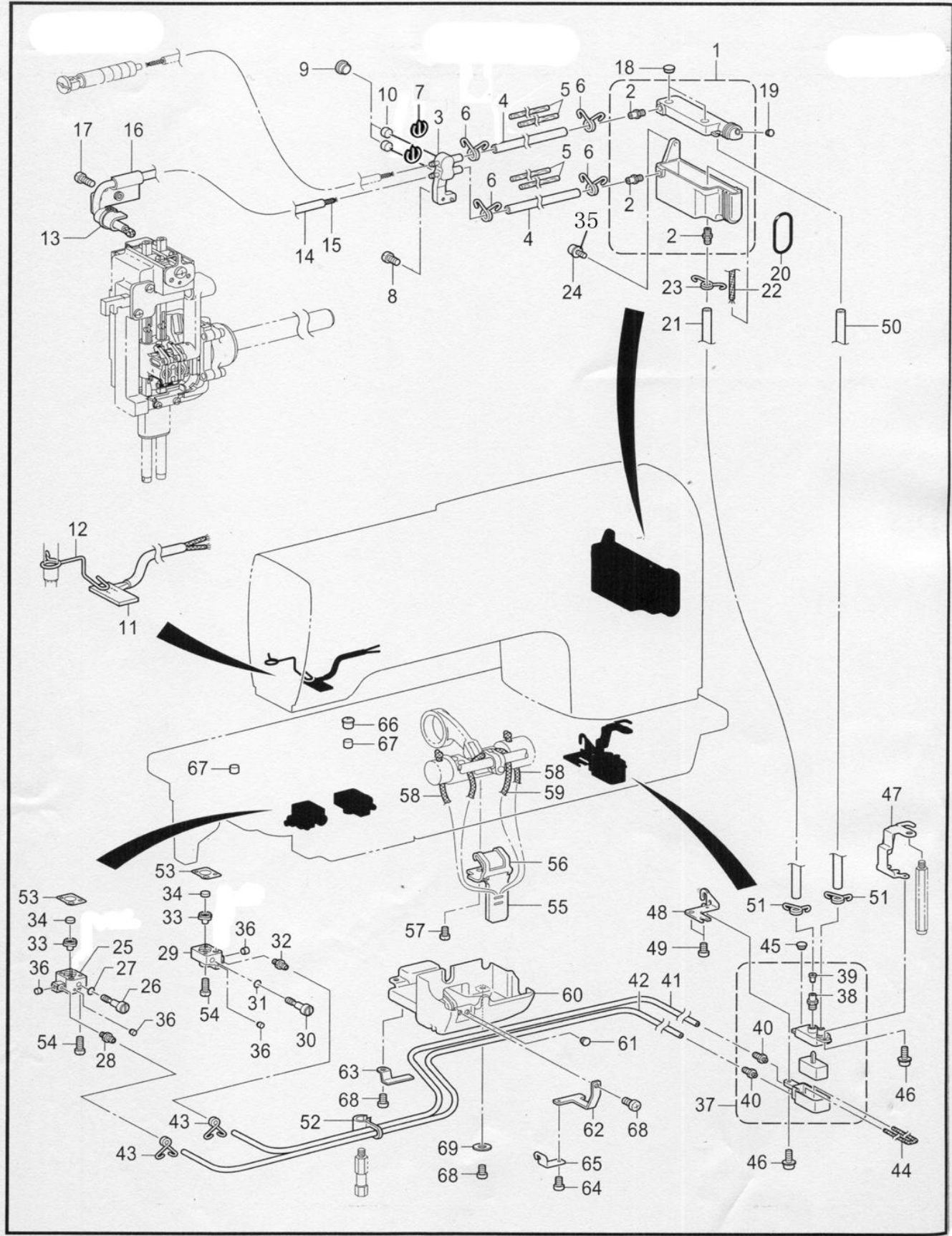
M1. 下轴机构/ Lower shaft mechanism

序号 No.	件号 Pars No.	名称	Description	数量 Number
1	1002281	下轴前轴套	ROTARY HOOK BASE BUSH L	1
2	10008091	油线	FELT	1
3	1002282	下轴中轴套	ROTARY HOOK BASE BUSH	2
4	10025612	下轴 (普通)	LOWER SHAFT, ST	1
4	1002283	下轴	LOWER SHAFT, ST	1
5	10022461	拾牙偏心轮	VERTICAL FEED ECCENTRIC WHEEL ASSY	1
6	10013685	螺钉SM1/4"×40	SET SCREW, SM1/4"×40	1
7	10022752	轴承衬套	BALL BEARING BUSH	1
8	10003542	轴承	BALL BEARING, 6004ZZNRC3	1
9	10009418	螺钉 M5X5	SET SCREW, M5X5	1
10	10012162	螺钉 M5X5	SET SCREW, M5X5	1
11	10003578	轴承	TIMING PULLEY D	1
12	10022690	下齿形带轮	TIMING PULLEY D ASSY SET	1
13	10013467	螺钉SM1/4"×40	SET SCREW, SM1/4"×40	1
14	10013465	螺钉SM1/4"×40	SET SCREW, SM1/4"×40	1

S 松线装置/ Tension release mechanism

1	10005697	螺母	NUT, SM4.76	2
2	10022754	松线钢丝导向板	TENSION RELEASE WIRE HOLDER	1
3	10013647	螺钉	SCREW, PAN SM3.57-40X5	2
4	10013524	松线电线夹	TENSION RELEASE WIRE HOLDER	1
5	10013647	挡线板固定螺钉	SCREW, PAN SM3.57-40X5	2

M. 润滑部分 / Lubrication



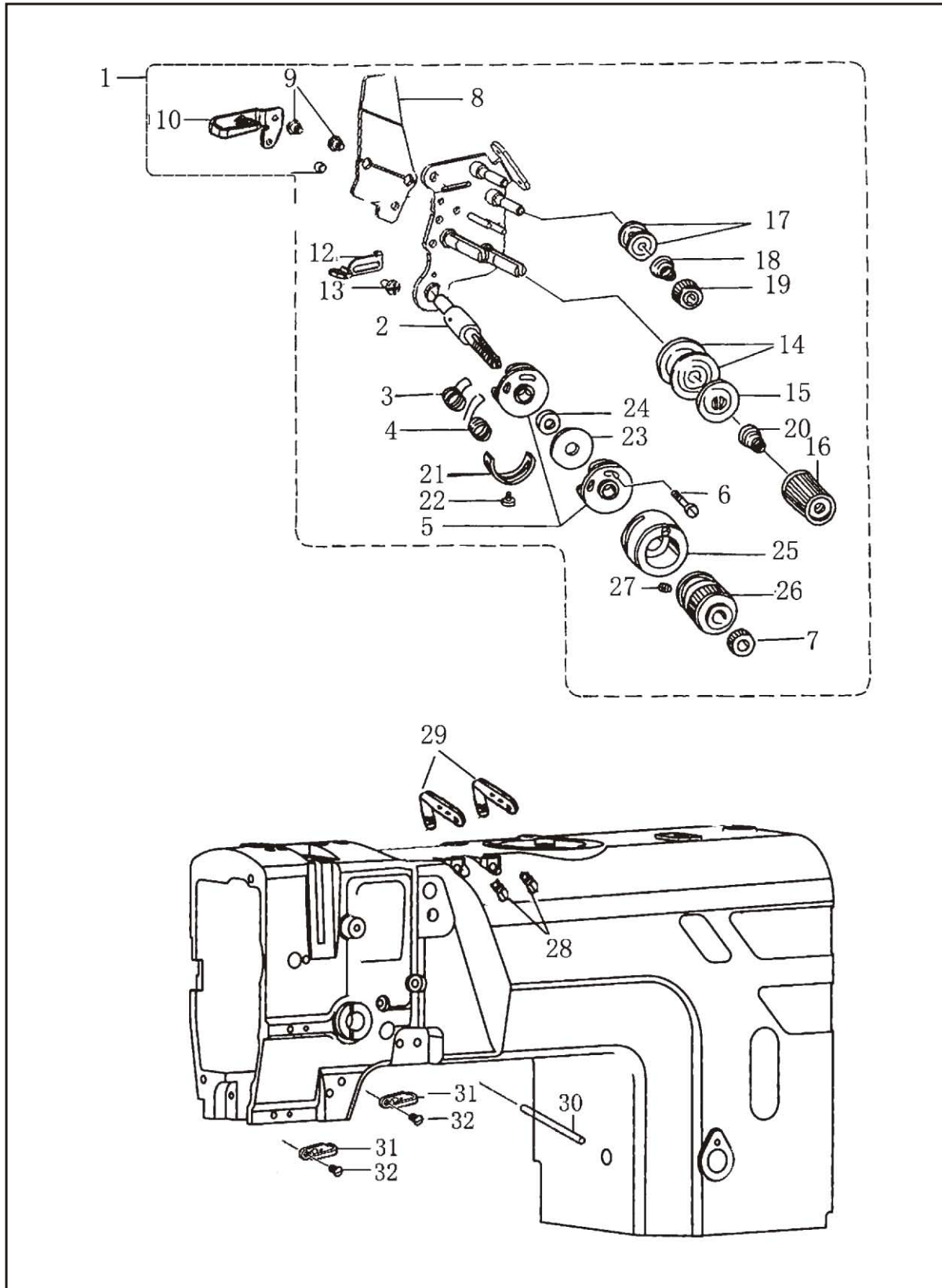
M. 润滑部分/ Lubrication

序号 No.	件号 Pars No.	名称	Description	数量 Number
1	10022722	主油盒组件	OILTANK ASSY	1
2	10022315	油嘴管	OIL FEEDING PIPE	3
3	10022300	油管接头	OIL TERMINAL	1
4	10007800	油管	OIL TUBE	4
5	10008091	油线	FELT	4
6	10022468	油管夹(大)	TUBE CLIP	2
7	10022714	油线卡环	WICK RING	2
8	10013647	螺钉 SM11/64"×40	SCREW, SM11/64"×40	1
9	10011099	橡胶塞	RUBBER CAP	2
10	10022468	油毡	ROTARY HOOK SHAFT FELT	2
11	10022303	毛毡	FELT ASSY	1
12	10013281	回油毛毡固定架	FELT SUPPORT	1
13	10002534	扎带16	FASTENING BAND	1
14	10007800	油管	OIL TUBE	1
15	10008091	油线	FELT	1
16	10022320	针杆支架供油架	OIL SUPPORT	1
17	10009868	螺钉 M4X8	SCREW, M4X8	1
18	10011099	橡皮塞12.5	RUBBER CAP 12.5	1
19	10022306	橡皮塞8	RUBBER CAP 8	1
20	10022314	橡胶圈	O RING P4	1
21	10022309	油管	OIL TUBE	1
22	10022310	油线	FELT	1
23	10022468	油管夹(大)	TUBE CLIP	1
24	10013647	螺钉SM11/64"×40	SCREW, SM11/64"×40	2
25	10022720	集油器(左)	OIL BLOCK, L	1
26	10022306	螺钉	SCREW	1
27	10022310	O形圈	O RING	1
28	10022313	油嘴管	OIL FEEDING PIPE	1
29	10022719	集油器(右)	OIL BLOCK, R	1
30	10022309	螺钉	SCREW	1
31	10022310	O形圈	O RING	1
32	10022313	油嘴管	OIL FEEDING PIPE	1
33	10022749	橡胶垫片	RUBBER PACKING	2
34	10013253	毛毡	FELT	2
35	10010459	垫圈 5	WASHER PLAIN 5	1
36	10022307	橡胶塞	RUBBER CAP	2
37	10022305	副油箱总装	SUB-TANK ASSY	1
38	10022313	油嘴管	TUBE CLIP	1
39	10022311	油门塞	VALVE PACKING	1
40	10022308	油管接头	TUBE CLIP	2
41	10007800	油管 φ3×φ5	OIL TUBE	1
42	10007800	油管 φ3×φ5	OIL TUBE	1
43	10022469	油管夹	TUBE CLIP	1
44	10008091	油线 φ3	FELT	1
45	10022306	橡皮塞	RUBBER CAP	1
46	10007675	螺钉M4X14	SCREW, M4X14	2
47	10022712	梭架供油盒油管支撑架II	SUB-TANK SETTING PLATE, II	1
48	10022711	副油管安装架B	SUB-TANK SETTING PLATE, B	1
49	10010092	螺钉 SM1/4"×40	SCREW, SM1/4"×40	2
50	10021319	油管	OIL TUBE	1
51	10022468	油管夹(大)	TUBE CLIP	1
52	10022301	线夹	TUBE SUPPORT	1

M. 润滑部分/ Lubrication

序号 No.	件号 Pars No.	名称	Description	数量 Number
57	10013598	螺钉 SM9/64"×40	SCREW, SM9/64"×40	1
58	10008091	油线 L=250	WICK, L=250	1
59	10008091	油线 L=350	WICK, L=350	1
60	10022710	储油盒	OIL COVER	1
61	10022306	橡胶塞	RUBBER CAP	1
62	10022298	油管压架A	TUBE SUPPORT, A	1
63	10022299	油管压架B	TUBE SUPPORT, B	1
64	10003006	螺钉M4X5	SCREW, M4X5	1
65	10022297	油管导向架	TUBE GUIDE	1
66	10013583	橡胶塞	RUBBER CAP	1
67	10013254	毛毡	FEKT	2
68	10010092	螺钉 SM1/4"×40	SCREW, SM1/4"×40	3
69	10006629	垫圈 6.5	WASHER PLAIN 6.5	1

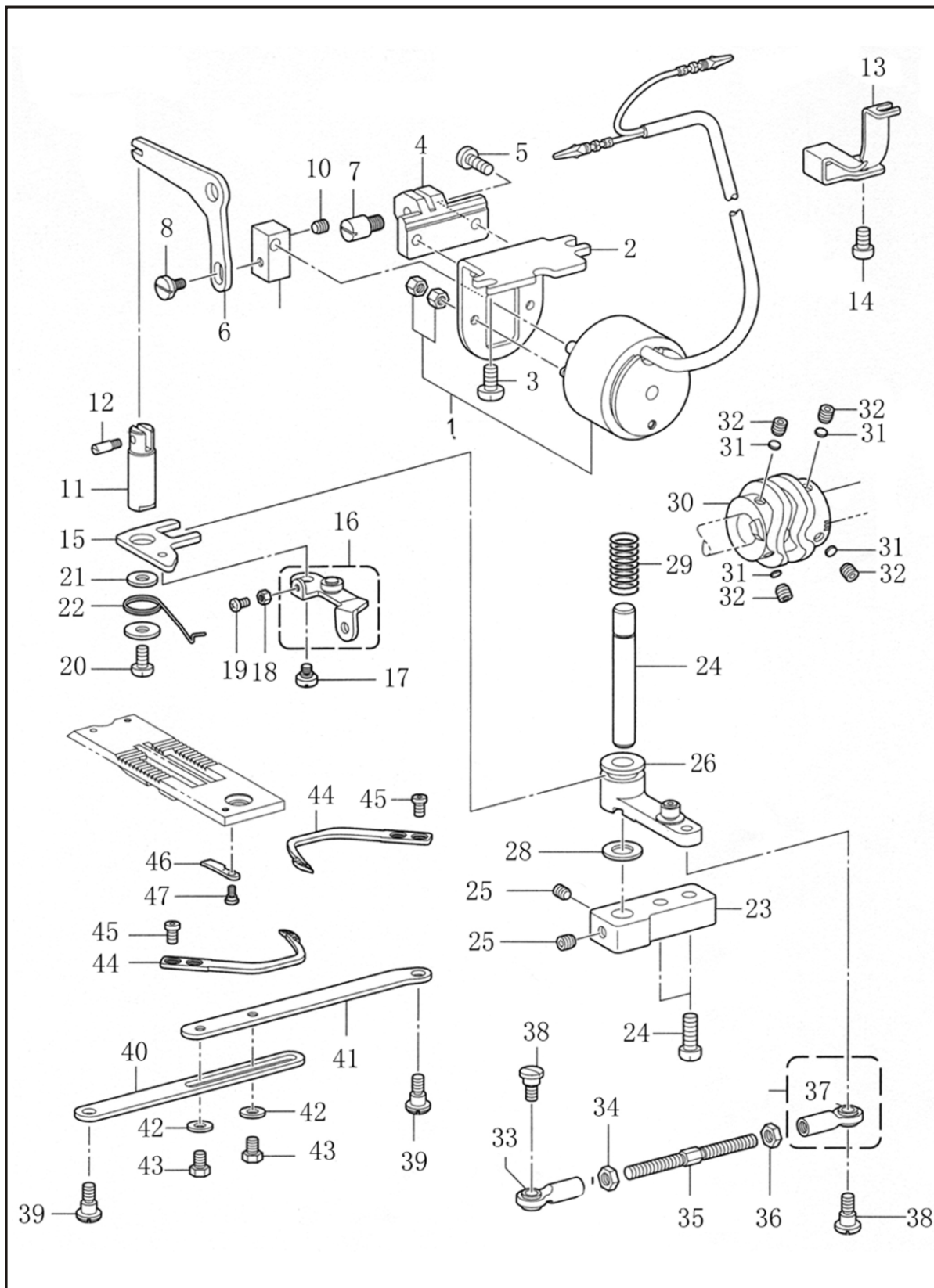
N1 夹线机构 / Thread mechanism



N1 夹线机构/Threading mechanism

序号 No.	件号 Pars No.	名称	Description	数量 Number
1	10009148	夹线器组件	UPPER THREAD TENSION ASSY, D	1
1	10009098	夹线器组件 (厚料)	UPPER THREAD TENSION ASSY, D	1
2	10006534	挑线簧螺栓	TENSION STUD	1
3	10006539	挑线簧 (左)	THREAD TAKE-UP SPRING L	1
4	10006544	挑线簧 (右)	THREAD TAKE-UP SPRING R	1
5	10006535	挑线导向器组件	TENSION SPRING GUIDE ASSY	2
6	10006524	螺钉SM3/32"×56	SCREW, SM3/32"×56	1
7	10006566	夹线螺母	TENSION NUT	1
8	10002670	松线板	TENSION RELEASE PLATE	1
9	10006557	螺钉	SHOULDER SCREW, SM3. 57	2
10	10002650	上过线勾	ARM THREAD GUIDE (U)	1
11	10006532	螺钉	FIXING SCREW	1
12	10002678	松线量调节架	THREAD QUANTITY ADJUST	1
13	10009667	螺钉	SCREW	1
14	10006541	夹线板	TENSION DISC	4
15	10006543	夹线板座	TENSION DISC PRESSER	2
16	10006561	夹线螺母	TENSION NUT	2
17	10006571	过线夹板	THREAD GUIDE DISC	4
18	10006563	过线簧	SPRING, PRE-TENSION(A)	2
19	10006561	夹线螺母	TENSION NUT	2
20	10006542	夹线簧	SPRING, TENSION ADJUST (TLEAVY)	1
20	10006545	夹线弹簧 (厚料)	SPRING, TENSION ADJUST (TLEAVY)	1
21	10013561	挑线簧调整板	TENSION, SPRING STOPPER	1
22	10006532	螺钉	SCREW, PAN SM3. 57-40×5	1
23	10006559	挑线簧导向板	SPACER	1
24	10006537	套环	COLLAR	1
25	10006543	夹线座	STOPPER SUPPORT	1
26	10006558	夹线套盖	ADJUST THUME	1
27	10006532	螺钉	SET SCREW, (CP)SM3. 18	1
28	10009100	三眼线勾	THREAD RETAINER	1
29	10002896	螺钉	SCREW	1
30	10013562	松线顶杆	BAR, TENSION RELEASE	1
31	10013599	上过线勾	THREAD GUIDE (2845)	2
32	10013601	螺钉	SCREW	2

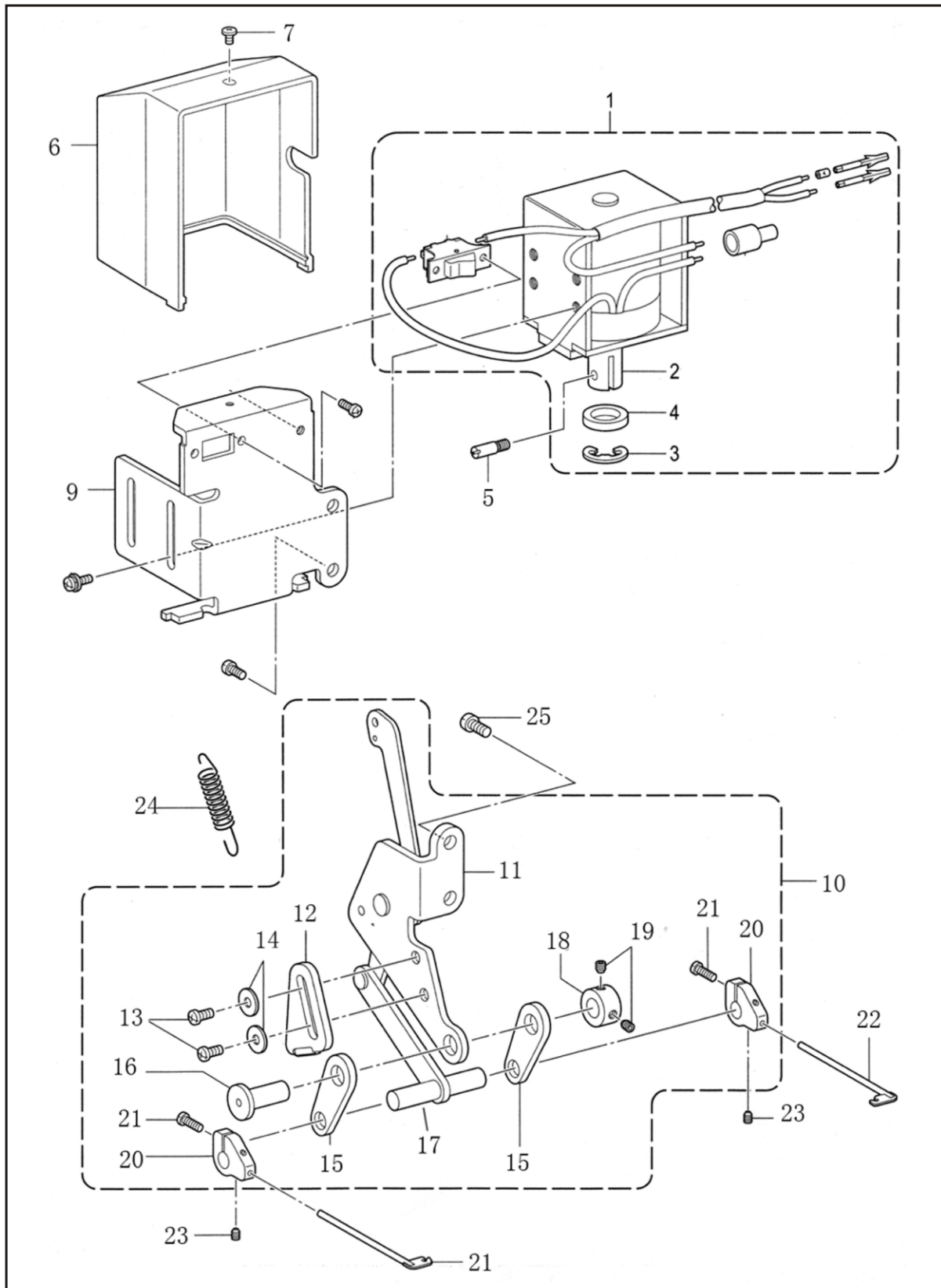
G. 自动剪线机构 / Thread trimmer mechanism



G. 自动剪线机构/ Thread trimmer mechanism

序号 No.	件号 Pars No.	名称	Description	数量 Number
1	10056310	剪线电磁铁组件	THREAD TRIMMER SOLENOID	1
2	10013674	剪线电磁阀座	THREAD TRI. SOL. BRACKET	1
3	10013663	螺钉SM1/4×28"	SCREW, SM1/4×28"	2
4	10013705	剪线电磁阀曲柄座	SOLENOID LEVERB RACKET	1
5	10013675	螺钉 SM3/16×32"	SCREW, SM3/16×32"	1
6	10013673	剪线电磁阀曲柄	SOLENOID LECER	1
7	10013670	剪线曲柄轴	SOLENOID LEVER SHAFT	1
8	10013658	螺钉 SM11/64×40"	SCREW, SM11/64×40"	1
9	10013669	剪线电磁阀连接块	THREAD TRIMMING SOLENOID JOINT	1
10	10013590	螺钉SM11/64×40"	SCREW,SM11/64×40"	1
11	10006664	剪线驱动轴	THREAD TRIMMING DRIVING ROD	1
12	10006670	剪线驱动轴销	PLUNGER PIN	1
13	10022730	电线支撑板	CORD HOLDER	1
14	10013657	螺钉SM1/4×40"	SCREW, SM1/4×40"	1
15	10006651	松线拨叉	THR. TRIM. DRIVING ROD PLATE	1
16	10006648	松线驱动板组件	KNIFE MAIN LEVER SHAFT	1
17	10006674	螺钉SM11/64×40"	SCREW, SM11/64×40"	1
18	10013516	螺母SM1/8×40"	NUT SM1/8×40"	1
19	10013519	螺钉SM1/8×40"	SCREW, SM1/8×40"	1
20	10013260	螺钉SM3/16×32"	SCREW,SM3/16×32"	1
21	10013626	垫圈	WASHER	1
22	10013627	剪线驱动座复位簧	SPRING, T ENSION RELEASE LEVER	1
23	10022324	剪线驱动轴导向板	MAIN LEVER SUPPORT SHAFT	1
24	10013657	螺钉SM1/4×40"	SCREW, SM1/4×40"	2
25	10003144	螺钉M6×8	SCREW, M6×8	2
26	10013671	剪线驱动板组件	MAIN LEVER ASSY, KNI FE	1
27	10013661	剪线拉杆	MAIN LEVER SHAFT	1
28	10013573	垫圈	WASHER	1
29	10013623	剪线压簧	SPRING	1
30	10009408	剪线凸轮	THREAD TRIMMER CAM	1
31	10009410	剪线凸轮垫片	SPACER	4
32	10012162	螺钉M5×5	SCREW,M5×5	4
33	10006650	剪线驱动拉杆（左）	BUSH	1
34	10006672	螺母 SM15/64×28"	NUT SM15/64×28"	1
35	10006653	螺纹连杆	L-ADJUSTING CONNECTING ROD	1
36	10006654	螺母 SM15/64×28"	NUT SM15/64×28"	1
37	10006646	剪线驱动拉杆（右）	BUSH	1
38	10013619	螺钉 SM15/64×28"	SCREW,SM15/64×28"	2
39	10013658	螺钉SM11/64×40"	SCREW,SM11/64×40"	2
40	10006652	动刀调节杆	T-TRIMMER CONNECTING ROD	1
41	10022731	切线连杆	T-TRIMMER CONNECTING ROD	1
42	10006649	垫圈	WASHER	2
43	10006685	螺钉 SM3/16×32"	SCREW, SM3/16×32"	2
44	10013704	动刀	MOVABLE KNIFE	2
45	10013698	螺钉SM11/64×40"	SCREW, SM11/64×40"	2
46	10013528	定刀片	FIXED KNIFE	2
47	10013523	螺钉SM3/32×56"	SCREW, SM3/32×56"	2

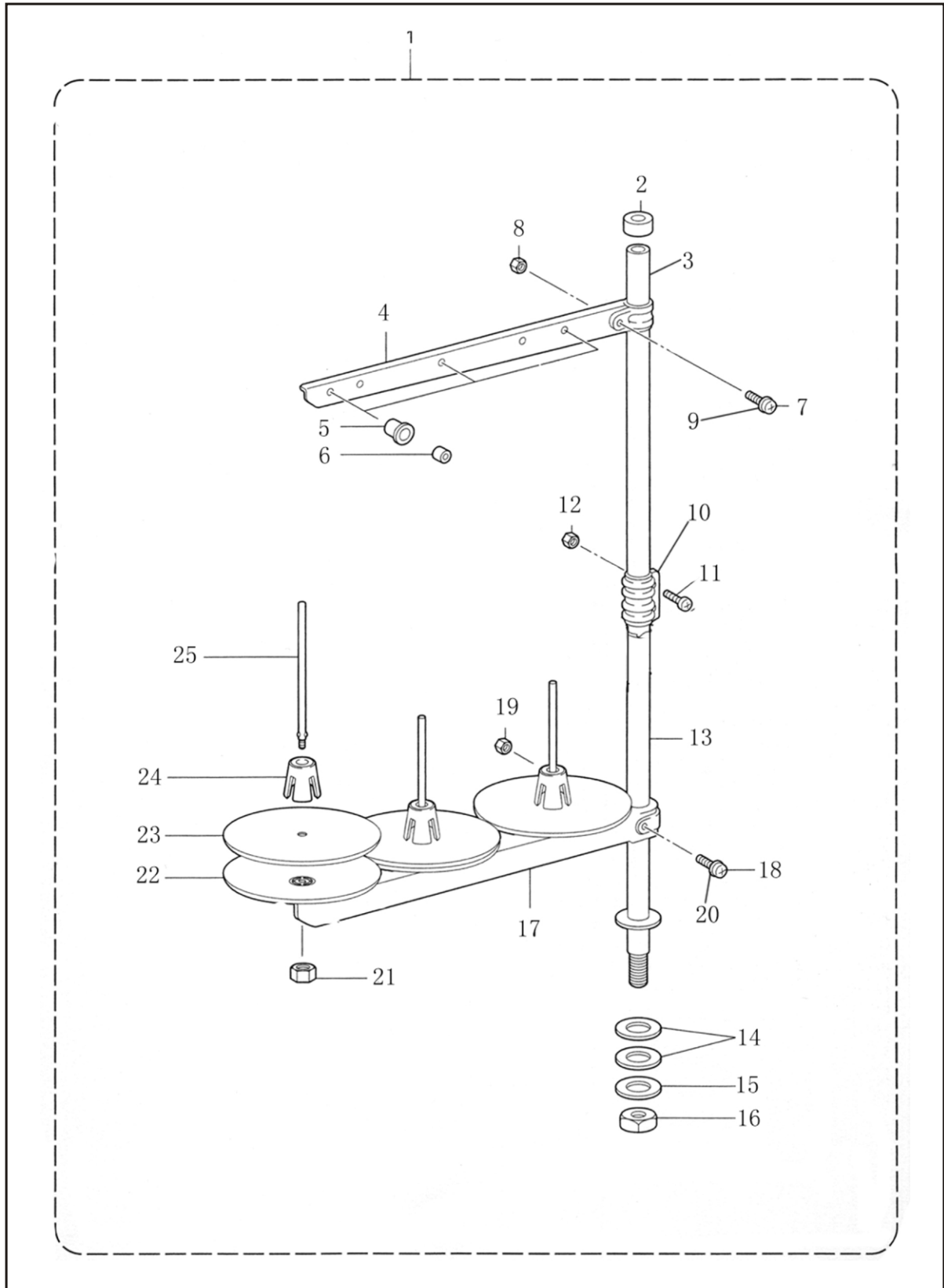
R. 扫线装置 / Thread wiper mechanism



R 拔线装置(自动剪线) / Thread wipe mechanism(Thread Trimmer)

序号 No.	件号 Pars No.	名称	Description	数量 Number
1	10009335	拔线电磁铁组件	THREAD WIPER SOLENOID ASSY	1
2	10003491	铁芯杆	PLUNGER	1
3	10003281	开口挡圈	RETAINING RING, E9	1
4	10006631	橡胶垫圈	PLUGER RUBBER	1
5	10006670	剪线驱动轴销	PLUNGER PIN	1
6	10002894	拔线电磁铁防护罩	SOLENOID COVER	1
7	10003044	螺钉	SCREW	1
9	10002895	拔线电磁铁盖板	OLENOID HOLDING PLATE	
10	10022733	拔线机构组件	HREAD WIPER SOLENOID ASSY	1
11	10006633	拔线机构座	SOLENOID LINK	1
12	10006636	拔线阻块	STOPPER	1
13	10013665	螺钉SM3/16"×28	SCREW SM3/16"×28	2
14	10006637	垫圈	WASHER	2
15	10006630	线勾摆动板	THREAD WIPER LINK (C)	2
16	10006638	线勾摆动板销	THREAD WIPER LINK STUD	1
17	10006669	线勾板轴组件	THREAD STUD ASSY	1
18	10013696	挡圈	SET SCREW COLLAR	1
19	10013590	螺钉SM11/64"×40	SCREW , SM11/64"×40	2
20	10013667	拔线勾座	THREAD WIPER SUPPORT	2
21	10013694	螺钉SM1/8"×44	SCREW , SM1/8"×44	2
22	10013703	拔线勾组件	THREAD WIPER	2
23	10013694	螺钉 SM1/8"×44	SCREW , SM1/8"×44	2
24	10022472	拔线弹簧	THREAD WIPER SPRING	1
25	10013260	螺钉 SM3/16"×32	SCREW, SM3/16"×32	2

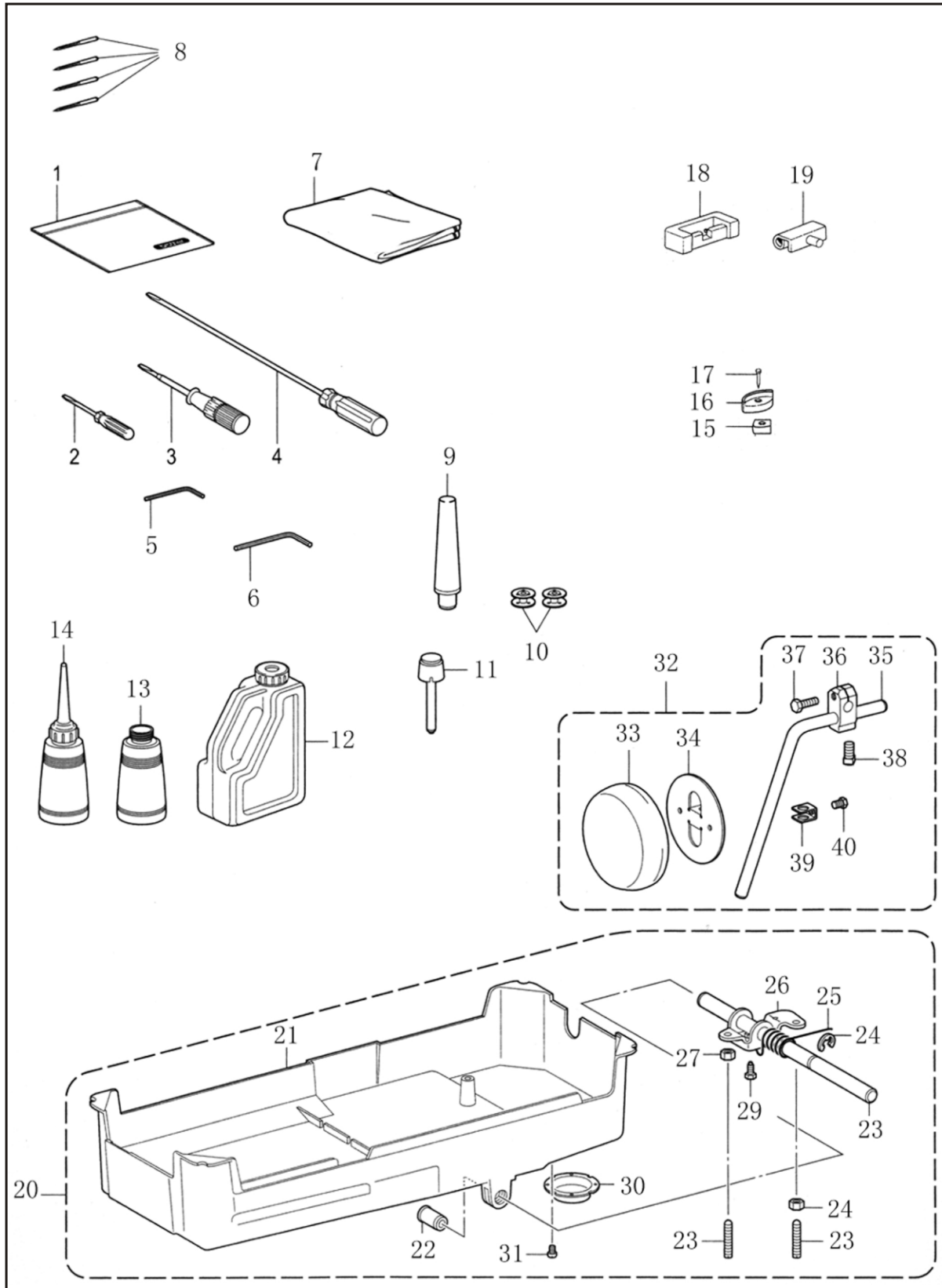
Z1. 附件 / Accessories



Z1 附件关系/ Accessories

序号 No.	件号 Pars No.	名称	Description	数量 Number
1	10006352	三线线架部件	COTTON STAND ASSY, 3DRTHF	1
2	10004282	线架上撑管套	COLUMN CAP	1
3	10004293	线架上撑管	CILUMN PIPE	1
4	10006345	上过线架	THREAD HANGER	1
5	10004285	过线管套	THREAD HANGER BASE	3
6	10004289	过线管	THREAD BUSH	3
7	10003301	螺钉 M5×14	SCREW M5×14	1
8	10009467	螺母 M5	NUT M5	1
9	10003022	垫圈	WASHER	1
10	10004286	撑管夹	COLUMN JOINT	1
11	10003301	螺钉 M5×14	SCREW M5×14	2
12	10009467	螺母 M5	NUT M5	2
13	10004291	线架下撑管	ILUMN PIPE (D)	1
14	10004290	垫圈	WASHER	2
15	10004295	垫圈	WASHER	1
16	10003127	螺母 M16	NUT M16	1
17	10006351	下过线架	SPOOL HOLDER	1
18	10003301	螺钉 M5×14	SCREW M5×14	1
19	10009467	螺母 M5	NUT M5	1
20	10003022	垫圈	WASHER	1
21	10009467	螺母 M5	NUT M5	3
22	10004299	线盘	SPOOL STAND BASE	3
23	10004281	线盘软垫	SPOOL MAT	3
24	10004287	线盘塑料压块	SPOOLCUSHION	3
25	10004288	线轴	SPOOL SHAFT	3

Z2. 附件 / Accessories



Z2 附件关系/ Accessories

序号 No.	件号 Pars No.	名称	Description	数量 Number
1	116354-116357	附件袋	ACCESSORY BAG	4
2	10010994	螺丝刀 (大)	SCREW DRIVER, 1.9X52	1
3	10010995	螺丝刀 (中)	SCREW DRIVER, 3.4X70	1
4	10013185	螺丝刀 (小)	SCREW DRIVER, 4.7X250	1
5	10009683	六角扳手 (小)	HEXAGONAL WRENCH 2	1
6	10009685	六角扳手 (大)	HEXAGONAL WRENCH 3	1
7	10005776	机头罩	HEAD COVER	1
8	10004858	机针	NEEDLE DPX5	4
9	10013295	机头支柱	HEAD REST	1
10	10013653	梭芯	BOBBIN, ST	4
11	10013214	膝控提升顶杆组件	KNEE LIFER COMPLYING BAR	1
12	10004455	油箱	OIL TANK	1
13	10013294	小油壶	OIL TANK	2
14	10006373	小油壶帽	OIL TANK	1
15	10012158	机头防震钉垫	OIL PAN CUSHION	4
16	10022296	油盘垫	RUBBER CUSHION	4
17	10003889	油盘座钉	NAIL	8
18	10011041	机头连接钩座	RUBBER CUSHION	4
19	10004466	机头连接钩部件	HEAD HINGE	4
20	20007512	油盘部件	OIL PAN ASSY	1
21	10022295	油盘	OIL PAN	1
22	10013249	油盘轴套	BUSH	2
23	10013592	膝控胶链轴	KNEE LIFTER SHAFT	1
24	10004964	挡圈	RETAINING RING	1
25	10004963	弹簧	TWIST SPRING	1
26	10006340	膝控限位架	KNEE LIFTER	1
27	10004960	螺母	NUT	3
28	10004962	螺钉 M6×24	SCREW, M6×24	2
29	10004961	螺钉 M6×14.5	SCREW, M6×14.5	1
30	10013218	排油圈	DRAIN	1
31	10013598	螺钉 SM9/64"×40	SCREW, SM9/64"×40	2
32	10005710	膝控碰块配件	KNEE LIFTER ASSY	1
33	10004223	操纵板软垫	KNEE LIFTER PLATE COVER	1
34	10003891	操纵板	KNEE LIFTER PLATE	1
35	10005640	膝控碰块弯杆	KNNE LIFTER BAR	1
36	10003896	抬压脚操纵接头	KNNE LIFTER BRACKET	1
37	10002610	螺栓	BOLT	1
38	10002613	螺栓	BOLT	1
39	10003897	操纵杆接头	KNEE LIFTER PLATE STOPPPER	1
40	10003894	螺钉	SCREW, SM15/64"×28	1

Wa . 警告标志 / Warnng labels

序号		名称	尺寸	代号
1		Label, operation Eng.	40x64	
2		危险标志 Mark, injury	L=16 R=0.8	
3		箭头标志 Mark, arrow	10 x 30	
4		接地标志 Mark, grounding	Ø12	



中国·中捷缝纫机股份有限公司
ZOJE SEWING MACHINE CO., LTD.

地址：浙江玉环大麦屿开发区

ADD: DAMAIYU ZONE, YUHUAN, ZHEJIANG, 317604 CHINA

免费咨询电话：TEL: 800-857-6715